

SHARP

MX-7040N / MX-6240N
Digital Multifunctional System



**A3 COLOUR MFP
WITH PROFESSIONAL
FINISHING**

We know that 'production class' MFPs can be complicated
/This is Why we made one that's easy to use.

It can take years to learn the fine points of colour printing and finishing /This is Why these new MFPs do it all for you, today.

'Production class' MFPs can be rather complicated. For consistent, predictable results you really need the appropriate technical skills and experience - a comprehensive understanding of colour fidelity, printing and finishing.

But the MX-7040N and MX-6240N make life a whole lot simpler.



Reach out for a new way of working

A large colour touch screen with finger-swipe control simplifies every operation. And, thanks to a huge range of professional finishing options, they can automatically handle every job from start to finish.

They have the speed that you want: 70 or 62 ppm depending on the model. They produce superb, high quality output. The paper supply (expandable to 8,500 sheets) is more than enough for long, unattended print runs on a variety of stock. They can even support SRA3, 300 g/m², glossy and embossed media.

The MX-7040N and MX-6240N are durable, reliable and surprisingly energy efficient. In fact, they have everything that you'd expect to find in a light production MFP. Except complexity.

What does that mean for your business? If you want to create professional looking documents in-house - if you want a truly productive and versatile repro department - look no further.

And if you run a pay-for-print business and want the flexibility of non-technical staff being able to fulfil urgent, unscheduled projects, this is the solution. Either way, you win.

Effortless operation for instant results

The MX-7040N and MX-6240N can be used by anyone and everyone. Every feature can be instantly accessed from a tiltable 10.1" colour LCD control panel. Because this touch screen uses finger-swipe technology - similar to a smartphone - all you have to do is touch the screen and tap, flick or slide your finger for instant, intuitive control.



CONTROL PANEL TILTS IN FIVE COMFORTABLE POSITIONS

Even first time users can get working straight away, thanks to an on-screen action panel, which can guide them step by step through every procedure.

You can even add full internet access. So now your colleagues can browse for and print web content without the need for a PC. What's more, you can add Sharp OSA® to connect to the 'Cloud' and run Software as a Service (SaaS) applications developed by Sharp's Technology Partners.

A 150-sheet document feeder lets you scan large batches of single and double-sided documents. An optional retractable QWERTY keyboard makes it easy to use, save and share office applications, documents and data on the integrated 1TB hard drive.

There's a USB port for walk-up scanning and printing and a handy 'Scan to Me' feature which gives you one-touch scanning directly to your own email address.

For those larger jobs, a special air-feed system ensures smoother paper transportation and you can also replenish the toner without interrupting the print run. Even the paper drawers have 'easy grip' handles for your comfort and convenience.



FRONT ACCESS
USB PORT

Speed is simply a starting point for productivity **/This is Why** we've added total automation with a choice of finishing options.

Power and ease of use count for nothing unless you have the image quality to back it up. And that's where the MX-7040N and MX-6240N really impress.

Both machines deliver true 1,200 x 1,200 dpi resolution with 8 bit processing. In plain English, the quality is simply stunning. But that's just the starting point.

We've introduced an improved imaging system and specially developed toner for even more accurate fine lines and halftone colours. Auto Process Control keeps the image quality consistent without having to pause for recalibration between jobs. And our new Developer Refresh System ensures the last page is identical to the first even on the longest print runs.

Attention to detail

As well as guaranteeing colour quality and accuracy, we've also added several important new features to further improve the quality of printing and copying without any manual fine tuning. No one has to learn these features but everyone will be glad that they're there.

Error Diffusion for Colour Copying – reproduces smoother lines and enhances the clarity of small text by preventing blurring.

Enhanced Background Suppression – suppresses the background without altering the RGB balance or, therefore, the shades of colour.

Jagged Edge Reduction – improves the reproduction of small text in subtle colours.

Enhanced Fine Line Reproduction – adjusts highlights, contrast, and edges for the superior reproduction of fine lines and text.

Accurate Colour Reproduction – reproduces natural skin tones and improved fidelity of other tricky colours.

Advanced finishing options

Finishing options give you the opportunity to create a wider range of documents in house, rather than using a third party printing firm. That not only saves you money, but it gives you faster reaction times and better security for sensitive or time-critical documents.

Our finishers can hold up to 4,000 sheets - perfect for long print runs - and can staple up to 100 sheets at a time. You can also add a two or four hole punch module for ready-to-file documents, creating the perfect configuration for regular office tasks.

For even greater versatility, choose the folding unit, which can produce Z, C, accordion, double- and half-folds. Our optional inserter lets you insert up to two kinds of paper which can be used to bind various types of documents. And the curl correction unit gives you flatter output - especially useful if you've also chosen the inline trimmer which trims between 2 and 20 sheets at a time.

EXTENSIVE FINISHING
CAPABILITIES

Energy efficiency

The MX-7040N and MX-6240N are frugal. LED lights in the scanner and fast warm up times save time and money. Plus, a special Eco Scan Mode switches the fuser off whenever appropriate.

On/off times can be pre-scheduled and they can 'learn' your usage patterns, automatically powering down during typical quiet periods.

These and other smart design features have resulted in an impressively low Total Electrical Consumption, earning these powerful MFPs the official Energy Star label.



Some things can be shared, others can't /This is Why we protect you with multi-layered security.

Multi-layered security

These MFPs incorporate some of the industry's toughest commercially available security features, including data encryption. Both models have password-controlled access for robust user authentication. Plus, they come with a useful Data Initialisation feature for erasing data from your MFP when the time comes to replace it.

A secure network interface, SSL, IPsec, port-based network protection, and IP / MAC address filtering defend against the most determined attacks.

We guard against accidents, too, with features such as password-protected PDFs, a Hidden Pattern Print feature which can reveal a watermark (e.g. 'CONFIDENTIAL NOT FOR COPY') and Confidential PIN Printing which requires the user to be present at the MFP before the print run can start.

Other security features include the encryption and secure erasure of data on the hard disk, automatically or on demand.

We can prevent the unauthorized copying, scanning, faxing and filing of confidential documents, too with our Document Control Function*. This adds copy-prevention data to a document when it is first copied or printed. If the data is subsequently detected, the MFP simply cancels the job or prints a blank page.

MULTI-LEVEL
SECURITY



* Requires optional Data Security Kit.

Making life easier

The MX-7040N and MX-6240N are truly easy to manage. Every important setting can be configured from a dedicated web page.

A **Printer Status Monitor** on your PC lets you check that there's enough toner and paper before you start a job. A glance at the **Job Status Screen** will reveal every copy and print job and its position in the queue. And an alert will pop up as soon as your documents are printed.

Your support staff will love them, too.

A **Remote Diagnosis** feature monitors the MFPs through a web browser, and they'll get timely email messages when maintenance is required.

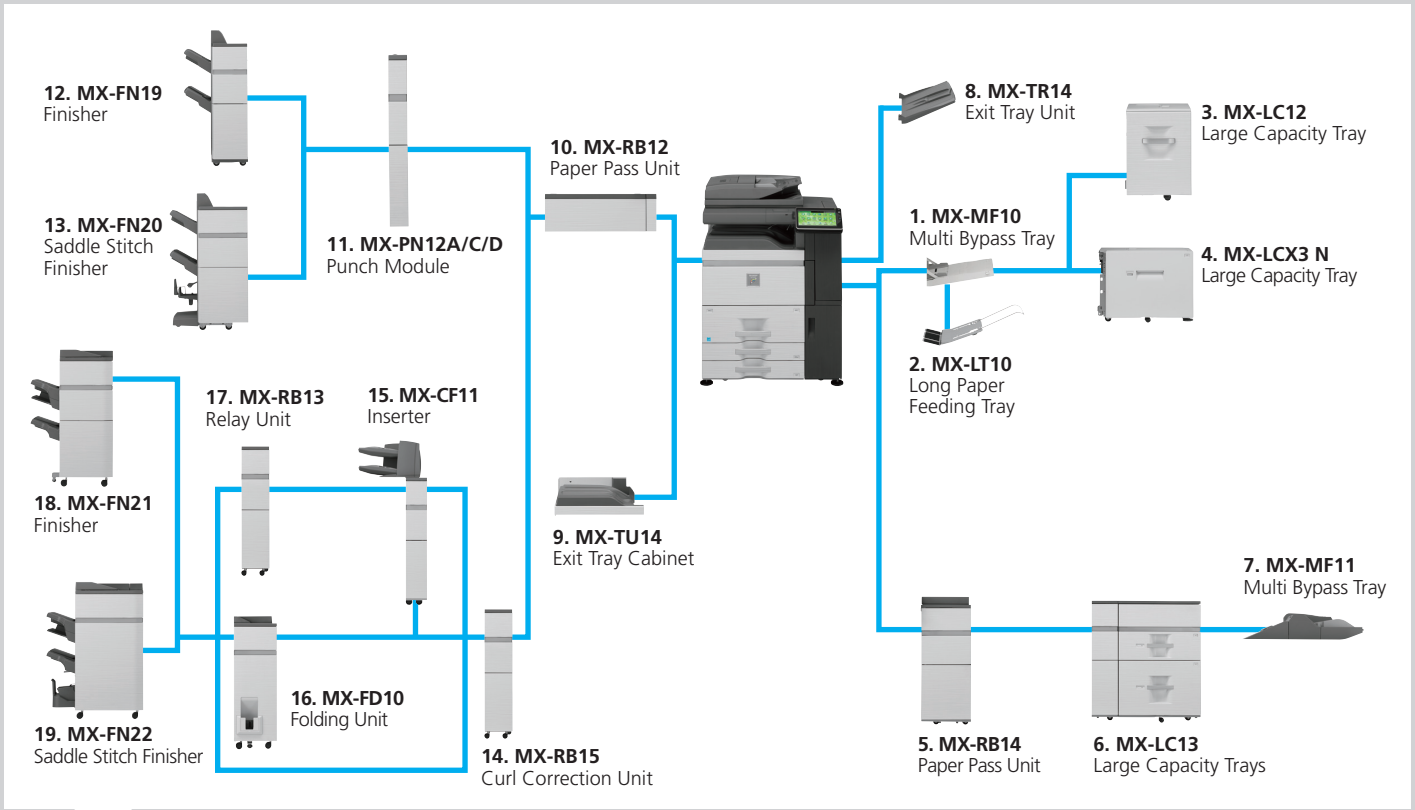
Sharp Remote Device Manager gives them real-time control of your Sharp MFPs - again, through a browser - making technical support, driver installation and firmware upgrades easier than ever.

They can even view and operate the front panel display, taking control, changing settings, fixing problems and providing ad hoc training, without ever leaving their desks, thanks to our innovative **Remote Access Control Panel**.



REMOTE ACCESS
CONTROL PANEL

OPTIONS



Base Unit

MX-KB13 Keyboard

1. MX-MF10 Multi Bypass Tray
(for main machine)

2. MX-LT10 Long Paper Feeding Tray
Recommended for banner printing.

3. MX-LC12 Large Capacity Tray (A4)
A4 - B5, 3,500 sheets (80 g/m²)

4. MX-LCX3 N Large Capacity Tray (A3)
A3 - B5, 3,000 sheets (80 g/m²)

5. MX-RB14 Paper Pass Unit
(between machine and MX-LC13)

6. MX-LC13 Large Capacity Trays (2 drawers)
SRA3 - B5R, 2,500 sheets each (80 g/m²)

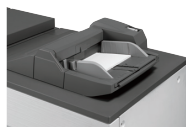
7. MX-MF11 Multi Bypass Tray (for MX-LC13)
SRA3 - A5R, 500 sheets (80 g/m²)



Keyboard



Long Paper Feeding Tray



Multi Bypass Tray

Finishing

8. MX-TR14 Exit Tray Unit

Cannot be installed with MX-RB14, MX-LC13 and MX-MF11.

9. MX-TU14 Exit Tray Cabinet

10. MX-RB12 Paper Pass Unit (for main machine)

11. MX-PN12A/C/D Punch Module (for MX-FN19 & MX-FN20)
A: 2 hole punch, C: 4 hole punch, D: 4 hole wide punch

12. MX-FN19 Finisher (4k - 50-sheet staple)
A3 - B5 (offset/staple), SRA3 - A5R (non offset)
Upper tray: 1,550 sheets*
Lower tray: 2,450 sheets*
50-sheet* staple capacity
(front, rear or 2 point stitching)



Finisher

13. MX-FN20 Saddle Stitch Finisher (4k - 50-sheet staple)
A3 - B5 (offset/staple), SRA3 - A5R (non offset)
Upper tray: 1,550 sheets*
Lower tray: 2,450 sheets*
50-sheet* staple capacity
(front, rear or 2 point stitching)
Saddle stitch tray: 10 sets (11-15 sheets),
20 sets (6-10 sheets), 25 sets (1-5 sheets).
Max 15 sheets per set.



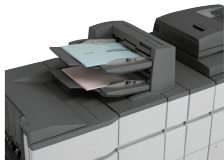
Saddle Stitch Finisher

14. MX-RB15 Curl Correction Unit

Corrects paper curling by putting pressure on the convex/concave curl.

15. MX-CF11 Inserter (200-sheet x 2 bin)

Requires MX-FD10 or MX-RB13.
SRA3 - A5R, 200 sheets each (80 g/m²)



Inserter

16. MX-FD10 Folding Unit

Required if MX-CF11 is installed and MX-RB13 is not required.
Folding options include Z, C, accordion, double and half folds.



Folding Unit

17. MX-RB13 Relay Unit

(between 100-sheet staple finisher and inserter)
Required if MX-CF11 is installed and MX-FD10 is not required.

18. MX-FN21 Finisher (4k - 100-sheet staple)

A3 - B5 (offset/staple), SRA3 - A5R (non offset)
Upper tray: 1,500 sheets*
Middle tray: 250 sheets*
Lower tray: 2,500 sheets*
100-sheet* staple capacity
(front, rear or 2 point stitching)



Finisher

19. MX-FN22 Saddle Stitch Finisher (4k - 100-sheet staple)

A3 - B5 (offset/staple), SRA3 - A5R (non offset)
Upper tray: 1,500 sheets*
Middle tray: 250 sheets*
Lower tray: 2,500 sheets*
100-sheet* staple capacity
(front, rear or 2 point stitching)
Saddle stitch tray: 5 sets (16-20 sheets),
10 sets (11-15 sheets), 15 sets (6-10 sheets),
25 sets (1-5 sheets). Max 20 sheets per set.



Saddle Stitch Finisher

MX-TM10 Trimming Module (for MX-FN22)

Up to 20 mm trim width, 1,500 sheets (80 g/m²)

MX-PN13A/C/D Punch Module (for MX-FN21 & MX-FN22)

A: 2 hole punch, C: 2/4 hole punch, D: 4 hole wide punch

Faxing

MX-FWX1 Internet-Fax Expansion Kit

MX-FX11 Fax Expansion Kit

Super G3 fax module.

Connectivity

Printing

MX-PF10 Barcode Font Kit

Enables barcode printing.

MX-PUX1 XPS Expansion Kit

Enables XPS printing.

MX-AM10 Web Browsing Expansion Kit

Enables Internet browsing from the control panel.

Scanning

AR-SU1 Stamp Unit

Marks already scanned documents for checking.

MX-EB11 Enhanced Compression Kit

Enables creation of high compression PDFs.

Sharpdesk Licenses

MX-USX1/X5/10/50/A0

1/5/10/50/100-License Kit

Sharp OSA®

MX-AMX1 Application Integration Module

MX-AMX2 Application Communication Module

MX-AMX3 External Account Module

Sharp OSA Network Scanner Tool Licenses

MX-UN01A/05A/10A/50A/1HA (Requires MX-AMX2)

1/5/10/50/100-License Kit

Security

MX-FR36U Data Security Kit (non CC version)

MX-EB15 Mirroring Kit

Second hard drive enables data backup of files stored on HDD.

* A4 or smaller, 80 g/m². Some options may not be available in some areas.

CONFIGURATION EXAMPLES

- A4 or A3 paper handling
- SRA3 and 300 g/m² via bypass tray
- 3,100-sheet paper capacity



- A4 or A3 paper handling
- SRA3 and 300 g/m² via bypass tray
- 6,600-sheet paper capacity
- 4,000-sheet finisher
- 50-sheet stapling
- 2 or 4 hole punching



- A4 or A3 paper handling
- SRA3 and 300 g/m² via bypass tray
- 6,600-sheet paper capacity
- 4,000-sheet finisher
- 50-sheet stapling
- 15-sheet folding
- Saddle stitching
- 2 or 4 hole punching



- A4, A3 or SRA3 paper handling
- 8,500 paper capacity
- 4,000-sheet finisher
- 100-sheet stapling
- 20-sheet folding
- Saddle stitching
- 2 or 2/4 hole punching
- Curl correction



- A4, A3 or SRA3 paper handling
- 8,500 paper capacity
- 4,000-sheet finisher
- 100-sheet stapling
- 2 or 2/4 hole punching
- Various folding options
- Inserter
- Curl correction



- A4, A3 or SRA3 paper handling
- 8,500 paper capacity
- 4,000-sheet finisher
- 100-sheet stapling
- 20-sheet folding
- Saddle stitching
- 2 or 2/4 hole punching
- Various folding options
- Curl correction



- A4, A3 or SRA3 paper handling
- 8,500 paper capacity
- 4,000-sheet finisher
- 100-sheet stapling
- 2 or 2/4 hole punching
- Trimming capabilities
- Inserter
- Curl correction

- A4, A3 or SRA3 paper handling
- 8,500 paper capacity
- 4,000-sheet finisher
- 100-sheet stapling
- 20-sheet folding
- Saddle stitching
- 2 or 2/4 hole punching
- Trimming capabilities
- Various folding options
- Inserter
- Curl correction



GENERAL

Engine speed (ppm/cpm) (Max)	
MX-7040N	A4 A3 70 35
MX-6240N	62 32
Paper size (Min – Max)	
Drawer 1 & 2	A4
Drawer 3	B5R - A3W
Drawer 4	A5R - A3W
Multi bypass	A5R - SRA3 1,200 x 320 mm (Max)
Paper weight (g/m²)	
Drawer 1 & 2	60 - 105
Drawer 3 & 4	60 - 220
Multi bypass	55 - 300

Paper capacity (Std – Max)	
Sheets	3,100 – 8,500
Drawers	4 – 6 (plus multi bypass tray)
Warm-up time*¹ (seconds)	55
Duplex	Std
Memory	
Copier/Printer (shared)	5 GB
HDD	1 TB
Power requirements	Rated local AC voltage ±10%, 50/60 Hz
Power consumption kW (Max)	3.84
Dimensions (mm) (W x D x H)	845 x 844 x 1,222
Weight (kg)	222

COPIER

Original paper size (Max)	A3
First copy time*² (seconds)	
MX-7040N	Colour B/W 5.1 3.7
MX-6240N	5.6 4.0
Continuous copies (Max)	9,999
Resolution (dpi)	
Scan (Colour)	600 x 600
Scan (B/W)	600 x 600, 600 x 200
Print	600 x 600 9,600 (equivalent) x 600 (depending on print mode)
Gradation levels	256
Zoom range (%)	25 – 400 (25 – 200 using DSPF) in 1% increments
Preset copy ratios	10 (5R/5E)

NETWORK PRINTER

Resolution (dpi)	1,200 x 1,200, 600 x 600, 9,600 (equivalent) x 600
Memory	5 GB shared
Interface	USB2.0, 10Base-T / 100Base-TX / 1000Base-T
Supported OS	Windows® XP, Windows Server® 2003, Windows Vista®, Windows Server® 2008, Windows Server® 2008 R2, Windows® 7 Mac OS X 10.4.11, 10.5 – 10.5.8, 10.6 – 10.6.8, 10.7 – 10.7.2
Network protocols	TCP/IP (IPv4 & IPv6), IPX/SPX (Netware), EtherTalk (AppleTalk)
Printing protocols	LPR, Raw TCP (port 9100), POP3 (e-mail printing), HTTP, Novell Printserver application with NDS and Bindery, FTP for downloading print files, EtherTalk printing, IPP
PDL emulation	Std PCL6, Adobe® PostScript® 3™ Opt XPS* ³
Available fonts	
PCL	80
Adobe® PostScript® 3™	136

NETWORK SCANNER

Scan method	Push scan (via operation panel) Pull scan (TWAIN compliant application)
Resolution (dpi)	Push scan 100, 150, 200, 300, 400, 600 Pull scan 75, 100, 150, 200, 300, 400, 600, 50 - 9,600 via user setting
File formats	XPS* ⁴ , PDF, Encrypted PDF, Compact PDF* ⁵ , PDF/A, JPEG, TIFF
Scan destinations	Scan to e-mail, desktop, FTP server, network folder (SMB), USB memory, fax* ⁶ , i-fax* ⁷
Scanner utilities	Network Scanner Tool, Sharpdesk

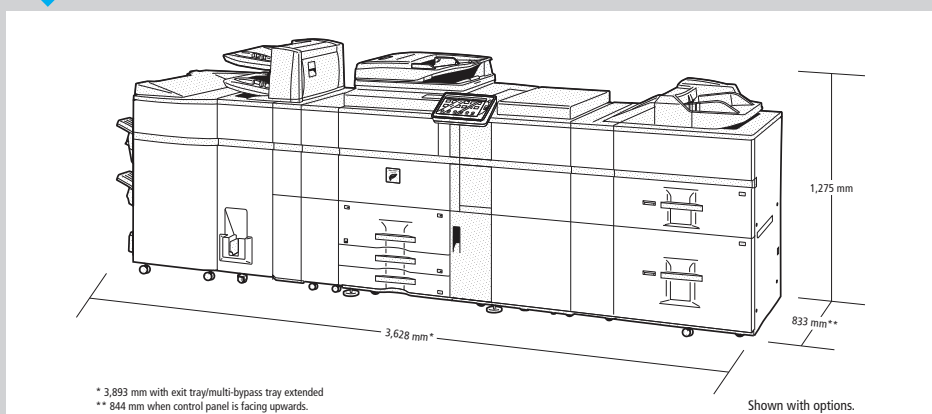
DOCUMENT FILING

Document filing capacity (pages/or files)	
Main folder & Custom Folder	35,000* ⁸ or 5,000
Quick file folder	10,000* ⁸ or 1,000
Stored jobs	Copy, print, scan, fax transmission* ⁶
Storage folders	Quick folder, main folder, custom folder (max.1,000)
Confidential storage	Password protection (for main and custom folders)

FAX (requires optional MX-FX11)

Compression method	MH/MR/MMR/JBIG
Communication protocol	Super G3 / G3
Transmission time*⁹ (seconds)	Less than 2
Modem speed (bps)	33,600 – 2,400 with automatic fallback
Transmission resolution (dpi)	Std 203.2 x 97.8 Ultra Fine 406.4 x 391
Recording width	A5 – A3
Memory (GB)	1
Grey scale levels	256

EXTERNAL DIMENSIONS



Design and specifications are subject to change without prior notice. All information was correct at time of print. The ENERGY STAR logo is a certification mark and may only be used to certify specific products that have been determined to meet the ENERGY STAR programme requirements. ENERGY STAR is a US registered mark. Windows, Windows XP, Windows Server and Windows Vista are registered trademarks of Microsoft Corporation. All other company names, product names, and logos are trademarks or registered trademarks of their respective owners. ©Sharp Corporation June 2012 Ref: Brochure MX-7040N/MX-6240N. All trademarks acknowledged. E&OE.



NOTES

- *¹ At rated voltage. May vary depending on machine conditions and operating environment.
- *² Best achieved time based on A4 copy, long-edge feeding from 1st paper drawer, using document glass, when machine is ready. May vary depending on machine conditions and operating environment.
- *³ Requires optional MX-PUX1.
- *⁴ To view XPS files on PCs not running Windows Vista, you must have the XPS View application installed.

- *⁵ Requires optional MX-EB11.
- *⁶ Requires optional MX-FX11.
- *⁷ Requires optional MX-FWX1.
- *⁸ Measured using Sharps' standard chart (A4 with 6% coverage, B/W). The storage capacity will be less for colour pages.
- *⁹ Based on Sharp's standard chart with approx. 700 characters (A4 portrait) at standard resolution in Super G3 mode, 33,600 bps, JBIG compression.

www.sharp.eu

SHARP

digitron-ist

Generalni distributer za Srbiju, Crnu Goru i BiH
11000 Beograd, Cara Lazara 3
P.C. Milentija Popovića 11-13; Tel: +381 11 6140 300
E-mail: showroom@digitron-ist.co.rs
Više informacija na: www.digitron-ist.co.rs