

SHARP PARTS GUIDE

MODEL ER-A457PF

PRINTER : PR-45M

(For PF version)

CONTENTS

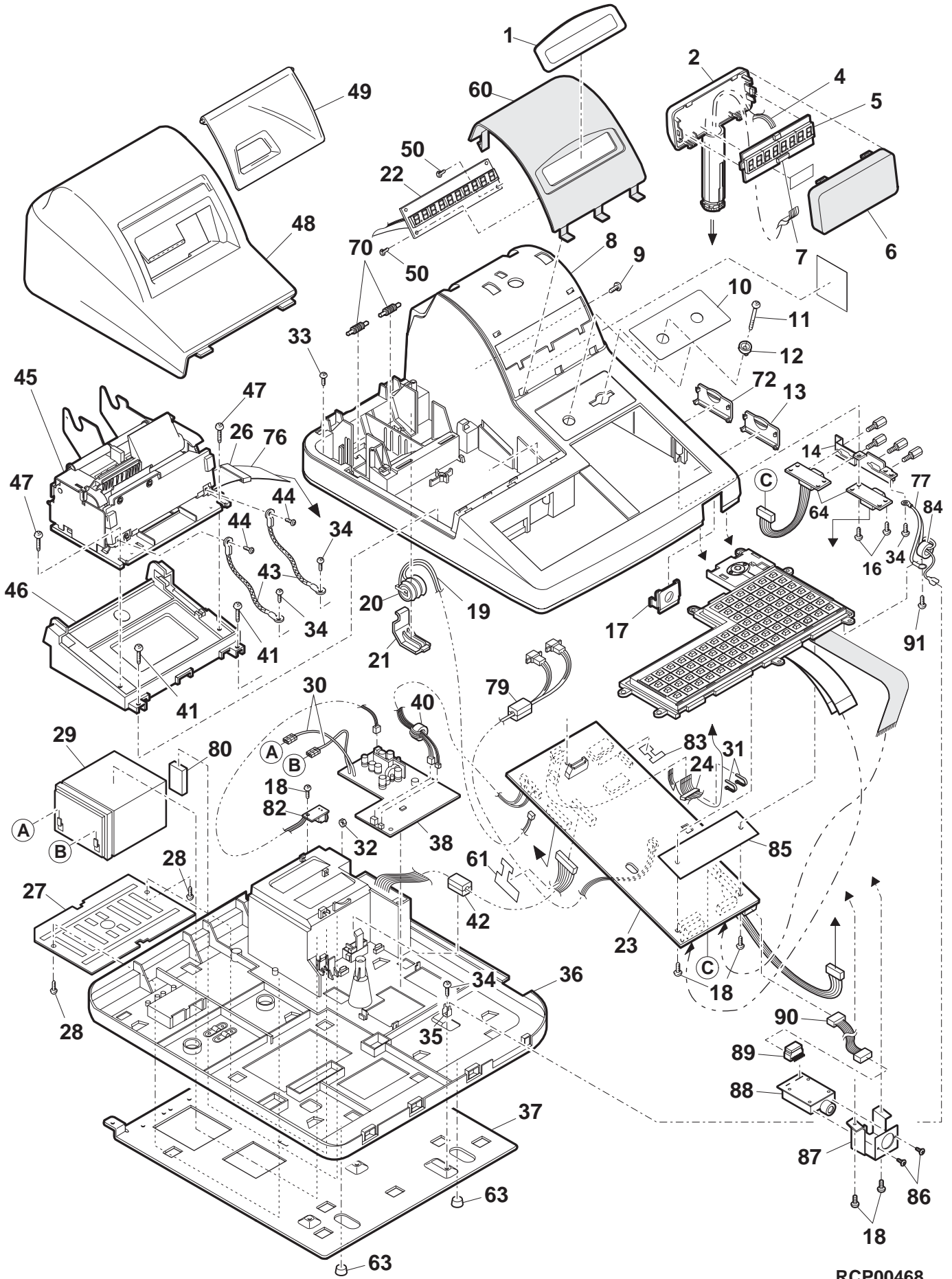
- ① Exteriors
- ② Keyboard unit
- ③ Packing material & Accessories
- ④ Main PWB unit
- ⑤ Pop up PWB unit
- ⑥ DC jack PWB unit
- ⑦ LCD PWB unit
- ⑧ Articles for consumption
- ⑨ Service route options
- index

Parts marked with "△" are important for maintaining the safety of the set. be sure to replace these parts with specified ones for maintaining the safety and performance of the set.

1 Exteriors

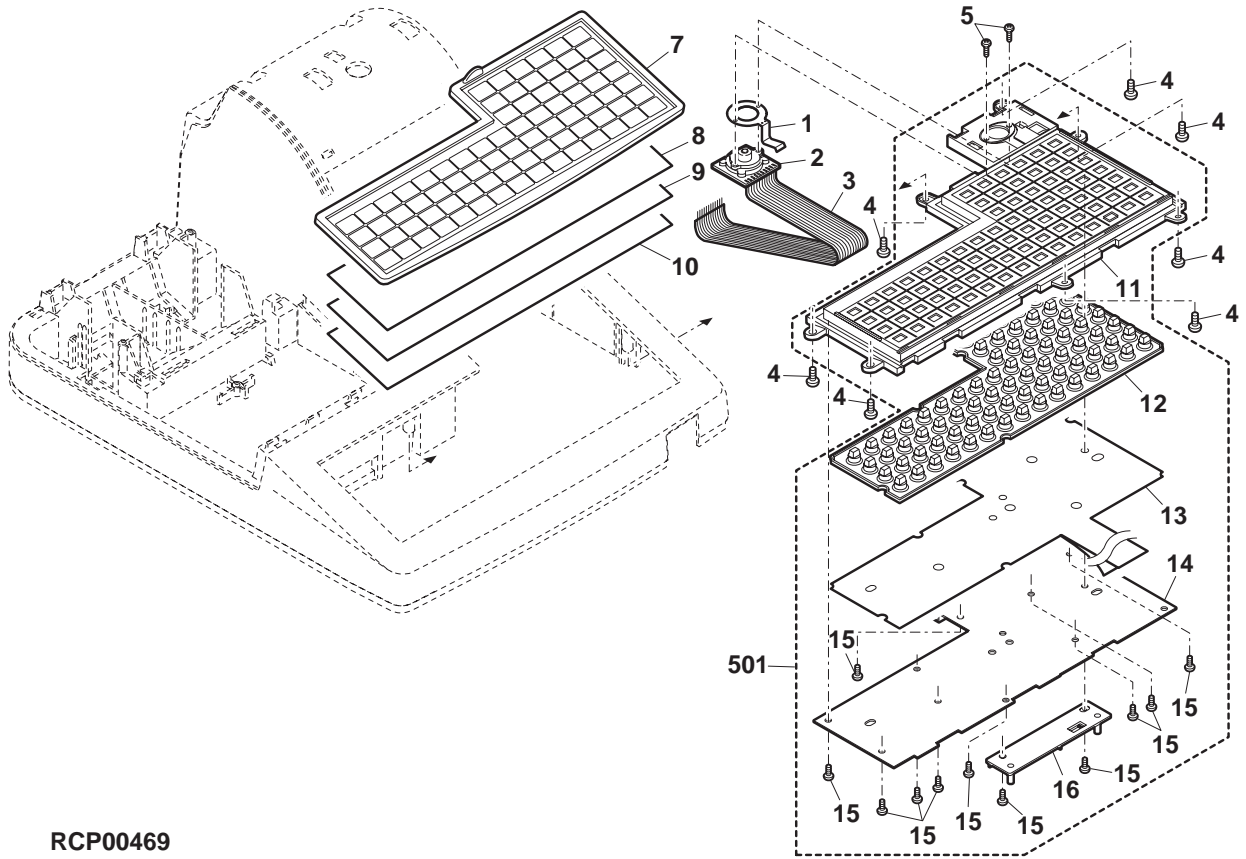
NO.	PARTS CODE	PRICE RANK	NEW MARK	PART RANK	DESCRIPTION
1	PFILW2009BHZZ	AV		D	Front filter
2	CCABB7861BHZZ	AR		D	Pop up cabinet
4	QCNW-3193BHZZ	AH	N	C	Pop up flat cable(5P)
5	CPWBF2907BHZZ	BD		E	Pop up PWB unit
6	PFILW6961BHSG	AP		D	Pop up filter
7	QCNW-3194BHZZ	AL	N	C	Pop up flat cable(15P)
8	CCABB7857BHZZ	BF	N	D	Top cabinet
9	XBBSC30P08000	AA		C	Screw(3x8)
10	HDECP6865BHSA	AN		D	Deco panel
11	XBSSN30P48000	AD		C	Screw(3x4.8)
12	PRNGP6631BHZZ	AK		C	Mold bush(Special seal)
13	GCOVH7144BHSA	AH		D	RS232C cover
14	LANGK2897BHZZ	AQ		C	RS232C angle B
16	XUPSD40P10000	AA		C	Screw(4x10)
17	GFTAF6922BHSC	AH		D	Clerk cover B(GRAY282)
18	XEBS30P08000	AA		C	Screw(3x8)
19	QCNW-7880BHZZ	AF		C	Battery cable
20	UBATZ6661BHZZ	BA		B	Battery(Ni-MH)
21	GCOVH7143BHZZ	AH		D	Battery cover
22	CPWBN2857BH03	BT		E	LCD PWB unit
23	CPWBN2902BH03	CG	N	E	Main PWB unit
24	RCORF2347BHZZ	AL		C	Core(HFP-33)
26	RCORF2343BHZZ	AR		C	Core(HFP-49.6-6.5-12)
27	LANGK2901BHZZ	AL		C	Battery angle
28	XUBSD40P10000	AA		C	Screw(4x10)
29	UBATP2340BHZZ	BQ		B	Pb battery(NPH5-12)
30	QCNW-3145BHZZ	AQ		C	Pb bat cable
31	LNDJ2003SCZZ	AA		C	Cable band
32	XNESD30-24000	AA		C	Nut(M3)
33	LX-BZ6778BHZZ	AA		C	Screw(3x8)
34	XHBSD30P04000	AA		C	Screw(3x4)
35	QTANZ6661BHZZ	AE		C	Faston terminal
36	DUNT-4313BHZZ	BT		E	Bottom FMC unit(FULL MOLD TYPE)
37	LCHSM2008BHZZ	AU		C	Main chassis
38	DUNTK4311BHZZ	BU		E	Power supply unit
40	RCORF6696BHZZ	AL		C	Core(TC28A152B)
41	XEBS30P10000	AA		C	Screw(3x10)
42	RCORF6700BHZZ	AS		C	Core(BNF14)
43	QCNW-7121RCZZ	AD		C	Printer GND wire
44	XBPSD30P06K00	AA		C	Screw(M3x6K)
45	KI-OB2359BHZZ	CA		E	Printer unit(PR-45M)
46	LHLDZ6847BHZZ	AS		C	Printer stand
47	XEBS30P14000	AA		C	Screw(3x14)
48	GCOVA7140BHSA	AZ		D	Printer cover
49	PFILD6973BHZZ	AS		D	Journal filter
50	XEBS20P06000	AA		C	Screw(2x6)
60	HPNLC2480BHZZ	AY		D	LCD panel
61	TLABZ7107BHSA	AC		D	Connector label
63	GLEGG6659BHZZ	AE		D	T/gum leg
64	CPWBN2902BH03	CG	N	E	Main PWB unit (RS232C PWB)
70	NROLP6651BHSC	AE		C	Paper plate roller
72	GCOVH2509BHSA	AH		D	Connector cover
76	QCNW-7898BHZZ	AP		C	Flat cable(printer cable)(40P)
77	QCNW-3171BHZZ	AF		C	GND wire
79	RCORF6699BHZZ	AU		C	Core(BNF28)
80	PCUSG2407BHZZ	AH		C	Battery cushion
82	CPWBF2903BH01	AX		E	Jack PWB unit
83	TLABZ7052BHSA	AC	N	D	O-ROM label
84	RCORF6697BHZZ	AF		C	Core(TC18A15)
85	PSHEP3061BHZZ	AH	N	C	PWB sheet
86	XJSSD26P08000	AA		C	Screw(2.6x8)
87	LANGT7602BHZZ	AM		C	Cashier key switch angle
88	LKG1W7375BHZA	BH		B	Clerk switch(body)
89	QCNCW2423BH0E	AE		C	Connector(Clerk)(5P)(5268-05A)
90	QCNW-7818BHZZ	AN		C	1 hole cleak cable(option)
91	XEBS30P06000	AA		C	Screw(3x6)

1 Exteriors



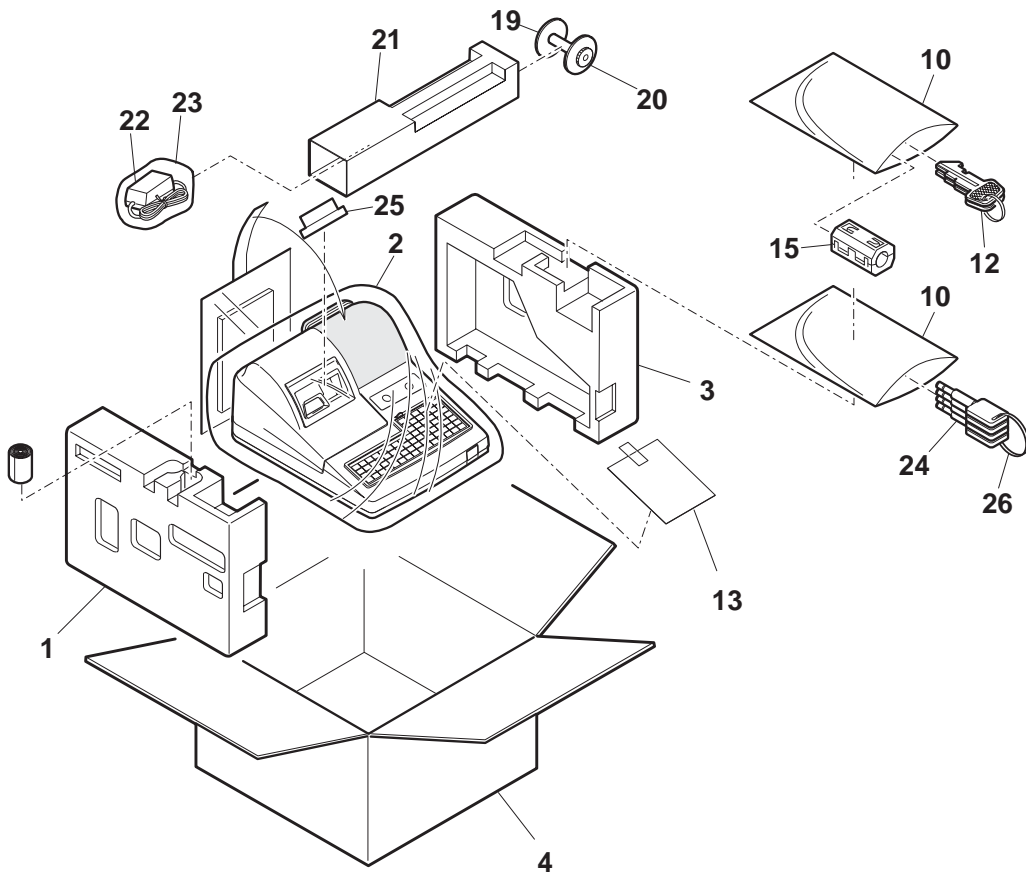
RCP00468

2 Keyboard unit



RCP00469

3 Packing material & Accessories



RCP00470

4 Main PWB unit

NO.	PARTS CODE	PRICE RANK	NEW MARK	PART RANK	DESCRIPTION
1	QCNCM0249FCZZ	AC		C	Connector(10P)(5229-10CPB) [CN19]
2	QCNCM1060AC03	AB		C	Connector(Short Pin 3P) [SW1,SW2]
3	QCNCM2905BHZZ	AL		C	LCD Connector(16PIN) [CN4]
4	QCNCM6865BH1A	AE		C	Connector(Mode S/W)(5267-11A) [CN9]
5	QCNCM7207BH4J	AQ		C	Connector(40P)(6229ZIF DIP) [CN8]
6	QCNCW1057ACZZ	AB		C	Connector(Short socket) [SW1,SW2]
7	QCNCW2423BH0E	AE		C	Connector(Clerk)(5P)(5268-05A) [CN18]
8	QCNCW2885BHZZ	AQ		C	Option RAM stack connector(35774-4050) [CN7]
9	QCNCW6882BH1A	AG		C	Connector(11P)(52011-1110)(ST TYPE) [CN17]
10	QCNCW7081BHZZ	AB		C	Connector(2P)(5267-02A)(Blue) [CN6]
11	QCNCW7118BH1A	AG		C	Connector(11Pin)(5229-11CPB) [CN16]
12	QCNCW7201BH0E	AE		C	Connector(Pop)(5P)(52806-0510) [CN1]
13	QCNCW7201BH1E	AK		C	Connector(15P)(52806-1510) [CN2]
14	QCNCW-3098BHZZ	AP		C	DS CN cable 1 [CN15-RS_CN2]
15	QCNCW-3146BHZZ	AQ		C	PS cable [CN3]
16	QCNCW-3147BHZZ	AG		C	PS_ON cable [CN5]
17	QCNCW-3149BHZZ	AP		C	DR cable(WHITE) [CN11]
18	QCNCW-3150BHZZ	AP		C	RS CN cable [CN12-RS_CN1]
19	QCNCW-3151BHZZ	AP		C	DR cable(YELLOW) [CN10]
20	QCNCW-3169BHZZ	AG		C	GND wire [DGND4-DGND12-DGND16-DGND7-DGND15]
21	QCNCW-3170BHZZ	AE		C	GND wire [DGND6-DGND5-DGND19]
22	QFS-C1035CCZZ	AE		A	Fuse(1.6A 250V) [F1]
23	QFSHD2109AFZZ	AC		C	Fuse holder(HD2109AF) [F1]
24	QFS-K2006BHZZ	AF		A	Fuse(LT-5,T2.5A/250V) [F2]
25	QSO-CN2328BHZZ	AH	N	C	D-SUB(9P)(DBR50-09K1300) [RSCN1,RSCN2]
26	QSO-CZ2042SC32	AE		C	IC socket(32pin) [IC2,IC11]
27	QSW-S0744AFZZ	AG		B	Reset switch(SSS312) [SW3]
28	RALMB6646BHZZ	AQ		B	Buzzer(RALMB6646BHZA) [BZ1]
29	RC-EZ2274BHZZ	AN	N	C	Capacitor(47μF/16V) [C198,C199]
30	RC-EZ2275BHZZ	AK	N	C	Capacitor(22μ/10V) [C97]
31	RC-EZ2276BHZZ	AS	N	C	Capacitor(33μ/25V) [C300]
32	RCiLC2415BHZZ	AH		C	Coil(22μH) [L1]
33	RCiLC2416BHZZ	AH		C	Coil(170μH) [L2]
34	RCORF2349BHZZ	AF		C	EMI filter(CF102 1000pF) [FIL1,FIL2,FIL3,FIL4,FIL5,FIL6,FIL7,FIL8]
	RCORF2349BHZZ	AF		C	EMI filter(CF102 1000pF) [FIL9,FIL10,FIL11,FIL12,FIL13,FIL14,FIL15]
	RCORF2349BHZZ	AF		C	EMI filter(CF102 1000pF) [FIL16,FIL17,FIL18]
35	RCORF6702BHZZ	AF		C	EMI filter(100pF) [FIL19]
36	RCORF7002BHZZ	AE		C	Chip core(EFCB322513TS) [FB5,FB6,FB7,FB8,FB9,FB10,FB11,FB12]
	RCORF7002BHZZ	AE		C	Chip core(EFCB322513TS) [FB13,FB14,FB15,FB16,FB17,FB18,FB19,FB20]
	RCORF7002BHZZ	AE		C	Chip core(EFCB322513TS) [FB201,FB202,FB203,FB204,FB205,FB206]
	RCORF7002BHZZ	AE		C	Chip core(EFCB322513TS) [FB207,FB208,FB209,FB210,FB211,FB212,FB213]
	RCORF7002BHZZ	AE		C	Chip core(EFCB322513TS) [FB21,FB22,FB23,FB24,FB25,FB26,FB27,FB28]
	RCORF7002BHZZ	AE		C	Chip core(EFCB322513TS) [FB214,FB215,FB216,FB217,FB218,FB219,FB220]
	RCORF7002BHZZ	AE		C	Chip core(EFCB322513TS) [FB221,FB222,FB223,FB224,FB225,FB226,FB227]
37	RCRZ7004RCZZ	AE		B	Chip resonator(CSTCC 7.37MG) [X3]
38	RCRSP6664RCZZ	AF		B	Crystal(19.66MHz) [X2]
39	RCRSP6676RCZZ	AG		B	X-TAL(32.768KHz) [X5]
40	RCRSZ6664RCZZ	AD		B	Crystal(4.19MHz) [X4]
41	RMPTQ2103QCJJ	AA		B	Block resistor(10KΩ×2) [BR21,BR26,BR29]
42	RMPTQ4101QCJJ	AB		B	Block resistor(100Ω×4) [BR6,BR8]
43	RMPTQ4102QCJJ	AB		B	Block resistor(1KΩ×4) [BR30,BR31]
	RMPTQ4103QCJJ	AB		B	Block resistor(10KΩ×4 1/32W ±5%) [BR1,BR2,BR3,BR4,BR5,BR7,BR9,BR10,BR11]
44	RMPTQ4103QCJJ	AB		B	Block resistor(10KΩ×4 1/32W ±5%) [BR12,BR13,BR14,BR15,BR16,BR17,BR18,BR19]
	RMPTQ4103QCJJ	AB		B	Block resistor(10KΩ×4 1/32W ±5%) [BR20,BR22,BR23,BR24,BR25,BR27,BR28]
45	RVR-B0003QCZZ	AF		B	Variable resistor(5KΩ,CET 065 B) [VR1]
46	VCCCCY1HH100D	AA		C	Capacitor(50WV 10pF) [C196]
47	VCCCCY1HH101J	AA		C	Capacitor(50WV 100pF/1608Type/CH) [C21,C22,C31,C34,C47,C48,C49,C50,C51,C52]
	VCCCCY1HH101J	AA		C	Capacitor(50WV 100pF/1608Type/CH) [C55,C56,C57,C58,C65,C66,C67,C68,C69,C70]
	VCCCCY1HH101J	AA		C	Capacitor(50WV 100pF/1608Type/CH) [C71,C73,C74,C75,C76,C77,C78,C79,C80,C82]
	VCCCCY1HH101J	AA		C	Capacitor(50WV 100pF/1608Type/CH) [C83,C84,C85,C86,C87,C88,C89,C108,C113]
	VCCCCY1HH101J	AA		C	Capacitor(50WV 100pF/1608Type/CH) [C114,C115,C117,C121,C122,C123,C301]
	VCCCCY1HH101J	AA		C	Capacitor(50WV 100pF/1608Type/CH) [C204,C207,C209,C213,C214,C215,C216,C217]
	VCCCCY1HH101J	AA		C	Capacitor(50WV 100pF/1608Type/CH) [C218,C219,C220,C229]
48	VCCCCY1HH220J	AA		C	Capacitor(50WV 22pF) [C180]
49	VCCCCY1HH221J	AA		C	Capacitor(50WV 220pF/1608Type/CH) [C200]
50	VCCCCY1HH270J	AA		C	Capacitor(50WV 27PF) [C183]
51	VCCCCY1HH331J	AB		C	Capacitor(50WV 330pF) [C37,C38,C39,C40,C100,C101,C104,C105,C106]
	VCCCCY1HH331J	AB		C	Capacitor(50WV 330pF) [C107,C110,C111,C130,C142,C143,C144,C145]
	VCCCCY1HH331J	AB		C	Capacitor(50WV 330pF) [C146,C147,C148,C149,C154,C155,C158,C167,C194]
	VCCCCY1HH331J	AB		C	Capacitor(50WV 330pF) [C221,C222,C223,C225,C232,C235]
52	VCCCCY1HH470J	AA		C	Capacitor(50WV 47PF) [C64,C118,C119,C124,C125,C126,C127,C128]
	VCCCCY1HH470J	AA		C	Capacitor(50WV 47PF) [C132,C133,C134,C135,C150,C151,C152,C153]
	VCCCCY1HH470J	AA		C	Capacitor(50WV 47PF) [C168,C169,C170,C171,C172,C173,C174,C175]
	VCCCCY1HH470J	AA		C	Capacitor(50WV 47PF) [C176,C177,C178,C179]
	VCCCCY1HH470J	AA		C	Capacitor(50WV 47PF) [C226,C227]
53	VCCCCY1HH471J	AA		C	Capacitor(50WV 470pF) [C195]
54	VCEAGA1CW105M	AA		C	Capacitor(16WV 1.0μF) [C192,C197]
55	VCEAGA1CW106M	AA		C	Capacitor(16WV 10μF) [C16,C18,C28,C98,C120,C159,C163,C186]
56	VCEAGA1CW337M	AB		C	Capacitor(16WV 330μF) [C5,C7]
57	VCEAGA1CW476M	AB		C	Capacitor(16WV 47μF) [C4,C91,C92]

4 Main PWB unit

NO.	PARTS CODE	PRICE RANK	NEW MARK	PART RANK	DESCRIPTION
58	VCEAGA1EW107M	AB		C	Capacitor(25WV 100μF) [C1]
59	VCEAGA1HW106M	AA		C	Capacitor(50WV 10μF) [C17,C32,C35,C53,C63,C165]
60	VCEAGA1HW474M	AB		C	Capacitor(50WV 0.47μF) [C2,C99]
61	VCEAGA1VW228M	AK		C	Capacitor(2200μF/35V) [C72]
62	VCEAGD1CW108M	AE		C	Capacitor(16WV 1000μF) [C3]
63	VCEAPS1CC106M	AC		C	Capacitor(16WV 10μF) [C20,C24,C26,C27,C30]
64	VCKYCY1HB102K	AA		C	Capacitor(50WV 1000pF) [C8,C9,C10,C11,C12,C13,C14,C15,C59,C109,C139]
	VCKYCY1HB102K	AA		C	Capacitor(50WV 1000pF) [C140,C141,C157,C160,C164,C181,C184,C187,C193]
	VCKYCY1HB102K	AA		C	Capacitor(50WV 1000pF) [C202,C203,C206,C211,C212,C224,C230,C231]
	VCKYCY1HB102K	AA		C	Capacitor(50WV 1000pF) [C236,C237]
65	VCKYCY1HB222K	AA		C	Capacitor(50WV 2200pF) [C138]
	VCKYCY1HF104Z	AA		C	Capacitor(50WV 0.10μF) [C6,C19,C23,C25,C29,C44,C45,C60,C61,C62]
	VCKYCY1HF104Z	AA		C	Capacitor(50WV 0.10μF) [C94,C95,C96,C102,C112,C129,C131,C136]
	VCKYCY1HF104Z	AA		C	Capacitor(50WV 0.10μF) [C137,C161,C162,C166,C182,C185,C188,C189]
	VCKYCY1HF104Z	AA		C	Capacitor(50WV 0.10μF) [C190,C191]
	VCKYCY1HF104Z	AA		C	Capacitor(50WV 0.10μF) [C201,C205,C208,C210,C228,C233,C234,C238]
66	VCKYCY1HF104Z	AA		C	Capacitor(50WV 0.10μF) [C239,C240,C241,C242,C243]
	VCKYCY1HR152K	AB		C	Capacitor(50WV 1500pF) [C42]
67	VCKYCY1CF105Z	AC		C	Capacitor(16WV 1μF 1608)(VCKYTY1CF105Z) [C156]
68	VHD1SR1544001	AB		B	Diode(1SR1544001) [D200]
70	VHD1SS355// -1	AB		B	Diode(1SS355) [D1,D4,D5,D6,D8,D9,D10,D11,D12,D15,]
	VHD1SS355// -1	AB		B	Diode(1SS355) [D16,D17,D18,D19,D20,D21,D22,D23,D24,D25]
	VHD1SS355// -1	AB		B	Diode(1SS355) [D26,D27,D28,D29,D30,D31,D32,D33,D34]
71	VHDRB160L-401	AG		B	Diode(RB160L-40) [D2,D3,D7]
	VHDRB160L-401	AG		B	Diode(RB160L-40) [D201]
72	VHDRB721Q// -1	AE		B	Diode(RE721Q) [D203]
73	VHEMTZJ6.2C-1	AC		B	Zener diode(MTZJ 6.2C) [ZD1]
74	VHEPTZ6.2A/-1	AH		B	Zener diode(PTZ6.2A) [ZD200]
75	VHEUDZS15B+-1	AD		B	Zener diode(UDZS15B) [ZD2]
76	VHHMiNSMDC020	AF		B	Thermistor(MiniSMD020-2) [PF1]
	VHHMiNSMDC020	AF		B	Thermistor(MiniSMD020-2) [PF200]
77	VHi27801RBA1A	BM	N	B	ROM(8M AT27C080-90PC) [IC2]
78	VHi621024M7-1	AZ		B	SRAM(LP621024DM) [IC7]
79	VHi65945GDP13	BA		B	G/A MPCA9(D65945GDP13) [IC20]
80	VHi74HC138DR/	AK		B	IC(SN74HC138DR) [IC5]
81	VHi74LV08/DR/	AK		B	IC(74LV08) [IC24]
82	VHiBA00ASFP-1	AR		B	IC(BA00ASFP) [IC3]
83	VHiBA033F+-1	AP		B	IC(BA033F) [IC18]
84	VHiBA10393F-1	AC		B	IC(BA10393F) [IC19,IC22,IC23,IC25]
85	VHiD780021113	BA	N	B	CKDC11B(UPD780021AGC-113-8BS) [IC29]
86	VHiFS781BZB-1	AP		B	IC(FS781BZB) [IC12]
87	VHiG76C256F70	BC		B	IC(G76D256F70) [IC27]
88	VHiH641510810	BA		B	CPU(H641510810) [IC14]
89	VHiHiN211CA-1	AN		B	IC(HiN211CA) [IC28,IC30]
90	VHiKiA431F/-1	AK		B	IC(KiA431F) [IC26]
	VHiKiA431F/-1	AK		B	IC(KiA431F) [IC202]
91	VHiKiD65083AP	AM		B	IC(KiD65083AP) [IC4]
92	VHiMAX1627ESA	BA		B	IC(MAX1627) [IC200]
93	VHiMC34063AM1	AG		B	IC(MC34063AM1) [IC201]
94	VHiRE5VL43A-1	AN	N	B	Voltage detector(RE5VL43A) [IC1]
95	VHiSN74HC00DR	AG		B	IC(74HC00) [IC21]
96	VHiSN74HC245D	AL		B	IC(SN74HC245D) [IC9]
97	VHiSN74HC374D	AL		B	IC(SN74HC374D) [IC8,IC10]
98	VHiSNLV00AS-1	AK		B	IC(74LV00A) [IC6]
99	VHiSTA471A/-1	AK		B	IC(STA471A) [IC18,IC19]
100	VHiTD62308F-1	AH		B	IC(TD62308F) [IC13]
101	VRS-CY1JD000J	AA		C	Resistor(1/16W 0Ω ±5%)(Jumper/1608Type) [R28,R88,R98,R101,R116]
102	VRS-CY1JD101J	AA		C	Resistor(1/16W 100Ω ±5%) [R36,R71,R106,R109,R111,R114,R119,R121]
	VRS-CY1JD101J	AA		C	Resistor(1/16W 100Ω ±5%) [R220,R221,R225,R226,R249,R250,R261,R262]
103	VRS-CY1JD102J	AA		C	Resistor(1/16W 1.0KΩ ±5%) [R2,R87,R93,R102]
	VRS-CY1JD102J	AA		C	Resistor(1/16W 1.0KΩ ±5%) [R216,R217,R230,R231,R237,R238,R239,R240]
	VRS-CY1JD102J	AA		C	Resistor(1/16W 1.0KΩ ±5%) [R241,R242]
	VRS-CY1JD103J	AA		C	Resistor(1/16W 10KΩ ±5%) [R4,R29,R37,R43,R44,R45,R51]
104	VRS-CY1JD103J	AA		C	Resistor(1/16W 10KΩ ±5%) [R68,R73,R76,R77,R78,R79,R83,R89,R97]
	VRS-CY1JD103J	AA		C	Resistor(1/16W 10KΩ ±5%) [R99,R100,R110,R120]
	VRS-CY1JD103J	AA		C	Resistor(1/16W 10KΩ ±5%) [R204,R205,R206,R207,R219,R222,R224,R227,R229]
	VRS-CY1JD103J	AA		C	Resistor(1/16W 10KΩ ±5%) [R232,R233,R251]
105	VRS-CY1JD104F	AA		C	Resistor(1/16W 100KΩ ±1%) [R105,R123,R129]
	VRS-CY1JD104F	AA		C	Resistor(1/16W 100KΩ ±1%) [R266]
106	VRS-CY1JD104J	AA		C	Resistor(1/16W 100KΩ ±5%) [R74,R75,R81,R86,R117]
	VRS-CY1JD104J	AA		C	Resistor(1/16W 100KΩ ±5%) [R203]
107	VRS-CY1JD105J	AA		C	Resistor(1/16W 1.0MΩ ±5%) [R113]
108	VRS-CY1JD112F	AA		C	Resistor(1/16W 1.1KΩ ±1%) [R201]
109	VRS-CY1JD122J	AA		C	Resistor(1/16W 1.2KΩ ±5%) [R60]
110	VRS-CY1JD123J	AA		C	Resistor(1/16W 12KΩ ±5%) [R7,R9,R11,R13,R15,R17,R19,R21,R23,R25,R108]
	VRS-CY1JD123J	AA		C	Resistor(1/16W 12KΩ ±5%) [R212]
111	VRS-CY1JD151J	AA		C	Resistor(1/16W 150Ω ±5%) [R31]
112	VRS-CY1JD152J	AA		C	Resistor(1/16W 1.5KΩ ±5%) [R48]
113	VRS-CY1JD163F	AA		C	Resistor(1/16W 16KΩ ±1%) [R40,R41]
114	VRS-CY1JD181J	AA		C	Resistor(1/16W 180Ω ±5%) [R30,R52]

4 Main PWB unit

NO.	PARTS CODE	PRICE RANK	NEW MARK	PART RANK	DESCRIPTION
115	VRS-CY1JD183F	AA		C	Resistor(1/16W 18KΩ ±1%) [R124]
	VRS-CY1JD183F	AA		C	Resistor(1/16W 18KΩ ±1%) [R248]
116	VRS-CY1JD183J	AA		C	Resistor(1/16W 18KΩ ±5%) [R59,R67]
117	VRS-CY1JD203J	AA		C	Resistor(1/16W 20KΩ ±5%) [R35]
118	VRS-CY1JD221J	AA		C	Resistor(1/16W 220Ω ±5%) [R6,R8,R10,R12,R14,R16,R18,R20,R22,R24,R70]
119	VRS-CY1JD222J	AA		C	Resistor(1/16W 2.2KΩ ±5%) [R54,R107]
	VRS-CY1JD222J	AA		C	Resistor(1/16W 2.2KΩ ±5%) [R228]
120	VRS-CY1JD223J	AA		C	Resistor(1/16W 22KΩ ±5%) [R64,R115]
121	VRS-CY1JD241J	AA		C	Resistor(1/16W 240KΩ ±5%) [R95]
	VRS-CY1JD241J	AA		C	Resistor(1/16W 240KΩ ±5%) [R234]
122	VRS-CY1JD242F	AA		C	Resistor(1/16W 2.4KΩ ±1%) [R33]
123	VRS-CY1JD272J	AA		C	Resistor(1/16W 2.7KΩ ±5%) [R94,R127]
124	VRS-CY1JD330J	AA		C	Resistor(1/16W 33Ω ±5%) [R50]
125	VRS-CY1JD331J	AA		C	Resistor(1/16W 330Ω ±5%) [R112]
126	VRS-CY1JD332J	AA		C	Resistor(1/16W 3.3KΩ ±5%) [R55,R66,R128]
127	VRS-CY1JD333F	AA		C	Resistor(1/16W 33KΩ ±1%) [R103,R125]
128	VRS-CY1JD333J	AA		C	Resistor(1/16W 33KΩ ±5%) [R80,R85]
129	VRS-CY1JD334J	AA		C	Resistor(1/16W 330KΩ ±5%) [R118]
130	VRS-CY1JD362F	AA		C	Resistor(1/16W 3.6KΩ ±1%) [R39,R42]
	VRS-CY1JD362F	AA		C	Resistor(1/16W 3.6KΩ ±1%) [R200]
131	VRS-CY1JD394J	AA		C	Resistor(1/16W 390KΩ ±5%) [R267]
132	VRS-CY1JD472J	AA		C	Resistor(1/16W 4.7KΩ ±5%) [R27,R63,R65,R72]
	VRS-CY1JD472J	AA		C	Resistor(1/16W 4.7KΩ ±5%) [R218,R235,R243,R247]
133	VRS-CY1JD473J	AA		C	Resistor(1/16W 47KΩ ±5%) [R26,R62,R122]
	VRS-CY1JD473J	AA		C	Resistor(1/16W 47KΩ ±5%) [R252,R253,R254,R255,R256,R257,R258,R259]
	VRS-CY1JD473J	AA		C	Resistor(1/16W 47KΩ ±5%) [R260,R264,R268]
134	VRS-CY2AY561J	AA		C	Resistor(1/10W 560Ω ±5% 1608) [R3]
135	VRS-CY1JD562F	AA		C	Resistor(1/16W 5.6KΩ ±1%) [R104]
136	VRS-CY1JD562J	AA		C	Resistor(1/16W 5.6KΩ ±5%) [R34,R82,R84]
	VRS-CY1JD562J	AA		C	Resistor(1/16W 5.6KΩ ±5%) [R223,R236]
137	VRS-CY1JD563J	AA		C	Resistor(1/16W 56KΩ ±5%) [R49,R56,R57,R58]
138	VRS-CY1JD680F	AA		C	Resistor(1/16W 68Ω ±1%) [R246]
139	VRS-CY2AY753F	AA	N	C	Resistor(1/16W 75KΩ ±1%)(VRS-CY1JD753F) [R265]
140	VRSCY1JR1151F	AA		C	Resistor(1/16W 1.15KΩ ±1%) [R245]
141	VRSCY1JR1330F	AA		C	Resistor(1/16W 133Ω ±1%) [R244]
142	VRS-RE3AAR22J	AA		C	Resistor(1W 0.22Ω ±5%) [R53]
143	VS2SA1036KQRC	AB		B	Transistor(2SA1036KQRC) [Q1]
	VS2SA1036KQRC	AB		B	Transistor(2SA1036KQRC) [Q204]
144	VS2SB1340// -1	AL		B	Transistor(2SB1340) [Q25]
145	VS2SC2412K// -1	AB		B	Transistor(2SC2412K) [Q24,Q31,Q32]
	VS2SC2412K// -1	AB		B	Transistor(2SC2412K) [Q203]
146	VSKRA106S// -1	AF		B	Transistor(KRA106S) [Q28]
147	VSKRC106S// -1	AD		B	Transistor(KRC106S) [Q12,Q13,Q14,Q15,Q16,Q17,Q18,Q19,Q20,Q21,Q26]
	VSKRC106S// -1	AD		B	Transistor(KRC106S) [Q29,Q30]
148	VSKTA1663// -1	AE		B	Transistor(KTA1663) [Q2,Q3,Q4,Q5,Q6,Q7,Q8,Q9,Q10,Q11]
149	VSKTA1664// -1	AD		B	Transistor(KTA1664) [Q27]
150	VSMTD2955V+ -1	AQ		B	Transistor(MTD2955V) [Q23]
	VSMTD2955V+ -1	AQ		B	Transistor(MTD2955V) [Q202]
151	VRS-CY1JD242J	AA		C	Resistor(1/16W 2.4KΩ ±5%)
152	VRS-CY1JD564J	AA		C	Resistor(1/16W 560KΩ ±5%)
	(Unit)				
901	CPWBN2902BH03	CG	N	E	Main PWB unit

5 Pop up PWB unit

NO.	PARTS CODE	PRICE RANK	NEW MARK	PART RANK	DESCRIPTION
1	QCNCW2860BH0E	AG		C	POP Connector(00-6232-005-104-800) [CN1]
2	QCNCW2860BH1E	AH		C	POP Connector(00-6232-015-104-800) [CN2]
3	VHPD4040GR2-1	AQ		B	LED(10MM)(CSD428G)(VHPHD4040GR2-1) [FND1,2,3,4,5]
	VHPLA40S2110C	AQ	N	B	LED(LA40S2-11) [FND1,2,3,4,5]
4	VRD-RC2EY270J	AA		C	Resistor(1/4W 27Ω ±5%) [R1,2,3,4,5,6,7,8]
	(Unit)				
901	CPWBF2907BHZZ	BD		E	Pop up PWB unit

6 DC jack PWB unit

NO.	PARTS CODE	PRICE RANK	NEW MARK	PART RANK	DESCRIPTION
1	QCNCW2824BHZZ	AQ		C	DC power jack
2	RCORF2348BHZZ	AQ		C	Core(SC 28A)
3	QCNW-3144BHZZ	AM		C	DC jack cable
	(Unit)				
901	CPWBF2903BH01	AX		E	Jack PWB unit

7 LCD PWB unit

NO.	PARTS CODE	PRICE RANK	NEW MARK	PART RANK	DESCRIPTION
1	DUNTK4098BHZZ	BR		E	LCD unit(HC16234)
	DUNTK4595RCZZ	BM	N	E	LCD unit(M286)
3	QCNW-3148BHZZ	AT		C	LCD cable(16P)
	(Unit)				
901	CPWBN2857BH03	BT		E	LCD PWB unit

8 Articles for consumption

NO.	PARTS CODE	PRICE RANK	NEW MARK	PART RANK	DESCRIPTION
1	TPAPR6645RC05	AY		S	Roll paper(5rolls/pack)

9 Service route options

NO.	PARTS CODE	PRICE RANK	NEW MARK	PART RANK	DESCRIPTION
1	LKGiM7113BHZZ	AF		S	Service key
2	LKGiM7126RCZZ	AL		S	Mode key grip cover [OP key only]
11	UKOG-6705RCZZ	BC		S	RS-232 loop back connector
101	LKGiM1004BH06	AW		S	Clerk key(6)(2pcs/1set,with key ring)
	LKGiM1004BH07	BH		S	Clerk key(7)(2pcs/1set,with key ring)
	LKGiM1004BH08	BH		S	Clerk key(8)(2pcs/1set,with key ring)
	LKGiM1004BH09	BH		S	Clerk key(9)(2pcs/1set,with key ring)
	LKGiM1004BH10	BH		S	Clerk key(10)(2pcs/1set,with key ring)
	LKGiM1004BH11	BH		S	Clerk key(11)(2pcs/1set,with key ring)
	LKGiM1004BH12	BH		S	Clerk key(12)(2pcs/1set,with key ring)
	LKGiM1004BH13	BH		S	Clerk key(13)(2pcs/1set,with key ring)
	LKGiM1004BH14	BH		S	Clerk key(14)(2pcs/1set,with key ring)
	LKGiM1004BH15	BH		S	Clerk key(15)(2pcs/1set,with key ring)

10. Elektronske komponente napojnog stepena

BR.	SIFRA ELEMENTA	OPIS	LOKACIJA
1	4T21-1619H020	Prigusnica	T1, T2
2	4L17-1513H20	Zavojnica (10 μ H)	L1, L4
3	4L17-5779-H20	Zavojnica (16 μ H)	L2
4	4L17-5780-h020	Zavojnica (32 μ H)	L3
5	50T032H	Osigurac (250V/3,15A)	F1
6	50T020H	Osigurac (250V/2A)	F2
7	RXE017	Termiocki osigurac	TH1
8	KCS10008-Y	Tranzistor (KSC1008-Y)	Q2, Q4
9	SFP9Z34	FET (SFP9Z34)	Q3, Q5
10	IRFSZ34A	FET (IRFSZ34A)	Q6
11	KA3843B	IC (KA3843B)	IC1, IC2
12	SF5SC4	Dioda (SF5SC4)	D4
13	1N4148	Dioda (1N4148)	D1, D3, D6
14	MTZj5,6B	Zener dioda (MTZJ5,6B)	D2, D7
15	SB360	Dioda (SB360)	D8
16	SB540	Dioda (SB540)	D5, D9
17	MTZJ5,1B	Zener dioda (MTZJ5,1B)	ZD2
18	2N7000	FET (2N7000)	Q7
19	MTZJ8,2B	Zener dioda (MTZJ8,2B)	ZD3 (R31)
20	1SS133	Dioda (1N4148)	D10 (R31)
21	RG1VHB337M	Kondezator (330 μ F/35V)	C1, C2, C3, C19, C20
22	RG1EHB337M	Kondezator (330 μ F/25V)	C11, C12, C13
23	RG1VJB336M	Kondezator (33 μ F/35V)	C4, C14
24	DE1S50V103J	Kondezator (10nF/50V)	C5, C6, C7, C8, C15, C16, C17, C18, C21, C22, C25
25	DE1S50V102J	Kondezator (1nF/50V)	C9
26	DE1S50V104J	Kondezator (100nF/50V)	C23, C24
27	RDEHB108MAP	Kondezator (1000 μ F/25V)	C10
28	RD1/8W10KJ	Otpornik (10k Ω / 1/8W)	R3
29	RD1/8W3,6KJ	Otpornik (3,6k Ω / 1/8W)	R4
30	RD1/4W10KJ	Otpornik (10k Ω / 1/4W)	R5
31	RD1/8W3,3KJ	Otpornik (3,3k Ω / 1/8W)	R6, R21
32	RD1/8W5,6KJ	Otpornik (5,6k Ω / 1/8W)	R7
33	RD1/8W330KJ	Otpornik (330k Ω / 1/8W)	R8, R23
34	RD1/8W3,9KJ	Otpornik (3,9k Ω / 1/8W)	R9, R24
35	RD1/8W5,6J	Otpornik (5,6 Ω / 1/8W)	R11
36	RDS1/4W1KJ	Otpornik (1k Ω / 1/8W)	R12, R34
37	RD1/8W20J	Otpornik (20 Ω / 1/8W)	R13
38	RD1/8W2,7KJ	Otpornik (2,7k Ω / 1/8W)	R14, R22
39	RD1/8W150J	Otpornik (150 Ω / 1/8W)	R15
40	RD1/8W27KJ	Otpornik (27k Ω / 1/8W)	R17
41	RD1/8W51KJ	Otpornik (51k Ω / 1/8W)	R18
42	RD1/8W180J	Otpornik (180 Ω / 1/8W)	R19
43	PNFR1/4W33J	Otpornik (33 Ω / 1/4W)	R20
44	RD1/8W100J	Otpornik (100 Ω / 1/8W)	R16, R27, R29
45	RD1/8W47KJ	Otpornik (47k Ω / 1/8W)	R35
46	RD1/8W100KJ	Otpornik (100k Ω / 1/8W)	R30
47	RD1/8W12J	Otpornik (12 Ω / 1/8W)	R26, R28

■ Index

PARTS CODE	NO.	PRICE RANK	NEW MARK	PART RANK	
【C】					
CCABB7857BHZZ	1- 8	BF	N	D	
CCABB7861BHZZ	1- 2	AR		D	
CPWBF2903BH01	1- 82	AX		E	
/"	6-901	AX		E	
CPWBF2907BHZZ	1- 5	BD		E	
/"	5-901	BD		E	
CPWBN2857BH03	1- 22	BT		E	
/"	7-901	BT		E	
CPWBN2902BH03	1- 23	CG	N	E	
/"	1- 64	CG	N	E	
/"	4-901	CG	N	E	
CSHEP3034BHZZ	2- 13	BA	N	C	
【D】					
DUNT-4313BHZZ	1- 36	BT		E	
DUNTK4098BHZZ	7- 1	BR		E	
DUNTK4311BHZZ	1- 38	BU		E	
DUNTK4312BHZZ	3- 22	BR		B	
DUNTK4595RCZZ	7- 1	BM	N	E	
【G】					
GCOVA7140BHSA	1- 48	AZ		D	
GCOVB2568BHZZ	2- 7	BC	N	D	
GCOVH2509BHSA	1- 72	AH		D	
GCOVH7143BHZZ	1- 21	AH		D	
GCOVH7144BHSA	1- 13	AH		D	
GFTAF6922BHSC	1- 17	AH		D	
GLEGG6659BHZZ	1- 63	AE		D	
【H】					
HDECP6865BHSA	1- 10	AN		D	
HPNLC2480BHZZ	1- 60	AY		D	
【K】					
Ki-OB2359BHZZ	1- 45	CA		E	
Ki-OK2374BHZZ	2-501	BH	N	E	
【L】					
LANGK2897BHZZ	1- 14	AQ		C	
LANGK2901BHZZ	1- 27	AL		C	
LANGQ7604BHZZ	2- 1	AG		C	
LANGT7602BHZZ	1- 87	AM		C	
LBNDJ2003SCZZ	1- 31	AA		C	
LCHSM2008BHZZ	1- 37	AU		C	
LFRM-2374BHZZ	2- 11	AV	N	D	
LHLDZ2404BHZZ	2- 16	AK	N	C	
LHLDZ6847BHZZ	1- 46	AS		C	
LKGiM1004BH01	3- 24	AW		B	
LKGiM1004BH02	3- 24	AW		B	
LKGiM1004BH03	3- 24	AW		B	
LKGiM1004BH04	3- 24	AW		B	
LKGiM1004BH05	3- 24	AW		B	
LKGiM1004BH06	9-101	AW		S	
LKGiM1004BH07	9-101	BH		S	
LKGiM1004BH08	9-101	BH		S	
LKGiM1004BH09	9-101	BH		S	
LKGiM1004BH10	9-101	BH		S	
LKGiM1004BH11	9-101	BH		S	
LKGiM1004BH12	9-101	BH		S	
LKGiM1004BH13	9-101	BH		S	
LKGiM1004BH14	9-101	BH		S	
LKGiM1004BH15	9-101	BH		S	
LKGiM7110BHZZ	3- 12	AE		B	
LKGiM7111BHZZ	3- 12	AE		B	
LKGiM7113BHZZ	9- 1	AF		S	
LKGiM7126RCZZ	9- 2	AL		S	
LKGiM7129BHZZ	3- 12	AE		B	
LKGiW0001BHZA	2- 2	AS		B	
LKGiW7375BHZA	1- 88	BH		B	
LPLTM2391BHZZ	2- 14	AT	N	C	
LX-BZ6778BHZZ	1- 33	AA		C	
【N】					
NGERH2317BHZZ	3- 19	AR		C	
NRÖLP6651BHSC	1- 70	AE		C	
【P】					
PCUSG2407BHZZ	1- 80	AH		C	
PFLD6973BHZZ	1- 49	AS		D	
PFLW2009BHZZ	1- 1	AV		D	
PFLW6961BHSG	1- 6	AP		D	
PGiDH2394BHZZ	3- 20	AK		C	
PGUMM2484BHZZ	2- 12	BA	N	C	
PRNGP6631BHZZ	1- 12	AK		C	
PRNGT6641BHZZ	3- 26	AE		C	

PARTS CODE	NO.	PRICE RANK	NEW MARK	PART RANK	
PSHEK3040BHZZ	2- 8	AR	N	C	
PSHEK3041BHZZ	2- 9	AV	N	C	
PSHEK3042BHZZ	2- 10	AL	N	C	
PSHEP3061BHZZ	1- 85	AH	N	C	
PSHEP6681BHZZ	3- 2	AF		C	
【Q】					
QCNCM0249FCZZ	4- 1	AC		C	
QCNCM1060AC03	4- 2	AB		C	
QCNCM2905BHZZ	4- 3	AL		C	
QCNCM6865BH1A	4- 4	AE		C	
QCNCM7207BH4J	4- 5	AQ		C	
QCNCW1057ACZZ	4- 6	AB		C	
QCNCW2423BH0E	1- 89	AE		C	
/"	4- 7	AE		C	
QCNCW2824BHZZ	6- 1	AQ		C	
QCNCW2860BH0E	5- 1	AG		C	
QCNCW2860BH1E	5- 2	AH		C	
QCNCW2885BHZZ	4- 8	AQ		C	
QCNCW6882BH1A	4- 9	AG		C	
QCNCW7081BHZZ	4- 10	AB		C	
QCNCW7118BH1A	4- 11	AG		C	
QCNCW7201BH0E	4- 12	AE		C	
QCNCW7201BH1E	4- 13	AK		C	
QCNCW-3098BHZZ	4- 14	AP		C	
QCNCW-3144BHZZ	6- 3	AM		C	
QCNCW-3145BHZZ	1- 30	AQ		C	
QCNCW-3146BHZZ	4- 15	AQ		C	
QCNCW-3147BHZZ	4- 16	AG		C	
QCNCW-3148BHZZ	7- 3	AT		C	
QCNCW-3149BHZZ	4- 17	AP		C	
QCNCW-3150BHZZ	4- 18	AP		C	
QCNCW-3151BHZZ	4- 19	AP		C	
QCNCW-3169BHZZ	4- 20	AG		C	
QCNCW-3170BHZZ	4- 21	AE		C	
QCNCW-3171BHZZ	1- 77	AF		C	
QCNCW-3193BHZZ	1- 4	AH	N	C	
QCNCW-3194BHZZ	1- 7	AL	N	C	
QCNCW-7121RCZZ	1- 43	AD		C	
QCNCW-7818BHZZ	1- 90	AN		C	
QCNCW-7880BHZZ	1- 19	AF		C	
QCNCW-7881BHZZ	2- 3	AG		C	
QCNCW-7898BHZZ	1- 76	AP		C	
QFS-C1035CCZZ	4- 22	AE		A	
QFSHD2109AFZZ	4- 23	AC		C	
QFS-K2006BHZZ	4- 24	AF		A	
QSÖCN2328BHZZ	4- 25	AH	N	C	
QSÖCZ2042SC32	4- 26	AE		C	
QSW-S0744AFZZ	4- 27	AG		B	
QTANZ6661BHZZ	1- 35	AE		C	
【R】					
RALMB6646BHZZ	4- 28	AQ		B	
RC-EZ2274BHZZ	4- 29	AN	N	C	
RC-EZ2275BHZZ	4- 30	AK	N	C	
RC-EZ2276BHZZ	4- 31	AS	N	C	
RCiLC2415BHZZ	4- 32	AH		C	
RCiLC2416BHZZ	4- 33	AH		C	
RCORF2343BHZZ	1- 26	AR		C	
RCORF2347BHZZ	1- 24	AL		C	
RCORF2348BHZZ	6- 2	AQ		C	
RCORF2349BHZZ	4- 34	AF		C	
RCORF6696BHZZ	1- 40	AL		C	
RCORF6697BHZZ	1- 84	AF		C	
RCORF6699BHZZ	1- 79	AU		C	
/"	3- 15	AU		C	
RCORF6700BHZZ	1- 42	AS		C	
RCORF6702BHZZ	4- 35	AF		C	
RCORF7002BHZZ	4- 36	AE		C	
RCRMZ7004RCZZ	4- 37	AE		B	
RCRSP6664RCZZ	4- 38	AF		B	
RCRSP6676RCZZ	4- 39	AG		B	
RCRSZ6644RCZZ	4- 40	AD		B	
RMP TQ2103QCJ J	4- 41	AA		B	
RMP TQ4101QCJ J	4- 42	AB		B	
RMP TQ4102QCJ J	4- 43	AB		B	
RMP TQ4103QCJ J	4- 44	AB		B	
RVR-B0003QCZZ	4- 45	AF		B	
【S】					
SPAKA3097BHZZ	3- 25	AC	N	D	
SPAKA3162BHZZ	3- 1	AX		D	
SPAKA3162BHZZ	3- 3	AX		D	
SPAKA3174BHZZ	3- 21	AL		D	

PARTS CODE	NO.	PRICE RANK	NEW MARK	PART RANK
SPAKC3161BHSA	3- 4	AZ	N	D
SSAKH3012CCZZ	3- 10	AA		D
SSAKH3015CCZZ	3- 23	AA		D
【T】				
TCADH6788BHZA	3- 13	AC		D
TLABZ7052BHSA	1- 83	AC	N	D
TLABZ7107BHSA	1- 61	AC		D
TPAPR6645RC05	8- 1	AY		S
【U】				
UBATP2340BHZZ	1- 29	BQ		B
UBATZ6661BHZZ	1- 20	BA		B
UKOG-6705RCZZ	9- 11	BC		S
【V】				
VCCCCY1HH100D	4- 46	AA		C
VCCCCY1HH101J	4- 47	AA		C
VCCCCY1HH220J	4- 48	AA		C
VCCCCY1HH221J	4- 49	AA		C
VCCCCY1HH270J	4- 50	AA		C
VCCCCY1HH331J	4- 51	AB		C
VCCCCY1HH470J	4- 52	AA		C
VCCCCY1HH471J	4- 53	AA		C
VCEAGA1CW105M	4- 54	AA		C
VCEAGA1CW106M	4- 55	AA		C
VCEAGA1CW337M	4- 56	AB		C
VCEAGA1CW476M	4- 57	AB		C
VCEAGA1EW107M	4- 58	AB		C
VCEAGA1HW106M	4- 59	AA		C
VCEAGA1HW474M	4- 60	AB		C
VCEAGA1VW228M	4- 61	AK		C
VCEAGD1CW108M	4- 62	AE		C
VCEAPS1CC106M	4- 63	AC		C
VCKYCY1CF105Z	4- 68	AC		C
VCKYCY1HB102K	4- 64	AA		C
VCKYCY1HB222K	4- 65	AA		C
VCKYCY1HF104Z	4- 66	AA		C
VCKYCY1HR152K	4- 67	AB		C
VHD1SR1544001	4- 69	AB		B
VHD1SS355// -1	4- 70	AB		B
VHDRB160L-401	4- 71	AG		B
VHDRB721Q// -1	4- 72	AE		B
VHEMTZJ6.2C-1	4- 73	AC		B
VHEPTZ6.2A// -1	4- 74	AH		B
VHEUDZS15B+ -1	4- 75	AD		B
VHHMiNSMDC020	4- 76	AF		B
VHi27801RBA1A	4- 77	BM	N	B
VHi621024M7-1	4- 78	AZ		B
VHi65945GDP13	4- 79	BA		B
VHi74HC138DR/	4- 80	AK		B
VHi74LV08/DR/	4- 81	AK		B
VHiBA00ASF-1	4- 82	AR		B
VHiBA033F++-1	4- 83	AP		B
VHiBA10393F-1	4- 84	AC		B
VHiD780021113	4- 85	BA	N	B
VHiFS781BZB-1	4- 86	AP		B
VHiG76C256F70	4- 87	BC		B
VHiH641510810	4- 88	BA		B
VHiHiN211CA-1	4- 89	AN		B
VHiKiA431F// -1	4- 90	AK		B
VHiKiD65083AP	4- 91	AM		B
VHiMAX1627ESA	4- 92	BA		B
VHiMC34063AM1	4- 93	AG		B
VHiRE5VL43A-1	4- 94	AN	N	B
VHiSN74HC00DR	4- 95	AG		B
VHiSN74HC245D	4- 96	AL		B
VHiSN74HC374D	4- 97	AL		B
VHiSNLV00AS-1	4- 98	AK		B
VHiSTA471A// -1	4- 99	AK		B
VHiTD62308F-1	4- 100	AH		B
VHPD4040GR2-1	5- 3	AQ		B
VHPLA40S2110C	5- 3	AQ	N	B
VRD-RC2EY270J	5- 4	AA		C
VRS-CY1JD000J	4-101	AA		C
VRS-CY1JD101J	4-102	AA		C
VRS-CY1JD102J	4-103	AA		C
VRS-CY1JD103J	4-104	AA		C
VRS-CY1JD104F	4-105	AA		C
VRS-CY1JD104J	4-106	AA		C
VRS-CY1JD105J	4-107	AA		C
VRS-CY1JD112F	4-108	AA		C
VRS-CY1JD122J	4-109	AA		C
VRS-CY1JD123J	4-110	AA		C

PARTS CODE	NO.	PRICE RANK	NEW MARK	PART RANK
VRS-CY1JD151J	4-111	AA		C
VRS-CY1JD152J	4-112	AA		C
VRS-CY1JD163F	4-113	AA		C
VRS-CY1JD181J	4-114	AA		C
VRS-CY1JD183F	4-115	AA		C
VRS-CY1JD183J	4-116	AA		C
VRS-CY1JD203J	4-117	AA		C
VRS-CY1JD221J	4-118	AA		C
VRS-CY1JD222J	4-119	AA		C
VRS-CY1JD223J	4-120	AA		C
VRS-CY1JD241J	4-121	AA		C
VRS-CY1JD242F	4-122	AA		C
VRS-CY1JD242J	4-151	AA		C
VRS-CY1JD272J	4-123	AA		C
VRS-CY1JD330J	4-124	AA		C
VRS-CY1JD331J	4-125	AA		C
VRS-CY1JD332J	4-126	AA		C
VRS-CY1JD333F	4-127	AA		C
VRS-CY1JD333J	4-128	AA		C
VRS-CY1JD334J	4-129	AA		C
VRS-CY1JD362F	4-130	AA		C
VRS-CY1JD394J	4-131	AA		C
VRS-CY1JD472J	4-132	AA		C
VRS-CY1JD473J	4-133	AA		C
VRS-CY1JD562F	4-135	AA		C
VRS-CY1JD562J	4-136	AA		C
VRS-CY1JD563J	4-137	AA		C
VRS-CY1JD564J	4-152	AA		C
VRS-CY1JD680F	4-138	AA		C
VRSCY1JR1151F	4-140	AA		C
VRSCY1JR1330F	4-141	AA		C
VRS-CY2AY561J	4-134	AA		C
VRS-CY2AY753F	4-139	AA	N	C
VRS-RE3AAR22J	4-142	AA		C
VS2SA1036KQRC	4-143	AB		B
VS2SB1340// -1	4-144	AL		B
VS2SC2412K// -1	4-145	AB		B
VSKRA106S// -1	4-146	AF		B
VSKRC106S// -1	4-147	AD		B
VSKTA1663// -1	4-148	AE		B
VSKTA1664// -1	4-149	AD		B
VSMTD2955V+ -1	4-150	AQ		B
【X】				
XBBSD30P08000	1- 9	AA		C
XBPSD30P06K00	1- 44	AA		C
XBSSN30P48000	1- 11	AD		C
XEBSD20P06000	1- 50	AA		C
XEBSD30P06000	1- 91	AA		C
XEBSD30P08000	1- 18	AA		C
//	2- 15	AA		C
//	2- 4	AA		C
XEBSD30P10000	1- 41	AA		C
XEBSD30P14000	1- 47	AA		C
XHBSD30P04000	1- 34	AA		C
XJPSD30P08000	2- 5	AA		C
XJSSD26P08000	1- 86	AA		C
XNESD30-24000	1- 32	AA		C
XUBSD40P10000	1- 28	AA		C
XUPSD40P10000	1- 16	AA		C

P A R T S ' L I S T

MODEL NO : U07 - 1108 - L010 - 01 / 04
 MODEL 명 : A457
 DATE : OCT., 08, 2001

NO	COMPONENT SYMBOL	COMPONENT NAME	TYPE & DESCRIPTION 1	Vendor 1	TYPE & DESCRIPTION 2	Vendor 2	TYPE & DESCRIPTION 3	Vendor 3	QTY	S	P	F	C
1	PCH	U07-1108-P010	내원						1	CFM-1			
2	T1,2	TRANS	4T21-1619-H020	성원	4T21-1619-H020	농흥			2				
3	L1,4	COIL	4L17-1513-H020	성원	4L17-1513-H020	농흥			2	10uH			
4	L2	COIL	4L17-5779-H020	성원					1	16uH			
5	L3	COIL	4L17-5780-H020	성원					1	32uH			*
6	F1	FUSE	SOT032H	TRAID	S60F032H	SAM-J00			1	250V 3.15			
7	F2	FUSE	SOT020H	TRAID	S50F020H	SAM-J00			1	250V 2A			
8	TH1	POLY SWITCH	RXE017	RAYCHEM					1				
9	Q2,4	TR	KSC1008-Y	FAIRCHILD	CSC1008-Y	CDIL			2				
10	Q3,5	FET	SFP9234	FAIRCHILD					2				
11	Q6	FET	IRFS234A	FAIRCHILD	FQPF30N06	FAIRCHILD			1				*
12	IC1,2	IC-PWM	KA3843B	FAIRCHILD					2				
13	D4	DIODE	SFSSC4	SHINDENGEN	DSSC4M	SHINDENGEN			1				
14	D1,3,6	D-SMALL	1N4148	ROMF KOREA	1N4148	PYUNGCHANG			3				
15	D2,7	D-ZENER	MTZJ5.6H	ROMF KOREA	UZ-S.6HSB	PYUNGCHANG			2				
16	D8	D-FR	S8360	PANJIT	SR306	FRONTIER	SR306	GOODWORK	1	60V 3A			
17	D5, D9	D-SCHOTTKY	S8540	G/S	S8540	PANJIT	S8540	UPC	2				
18	ZD2	D-ZENER	MTZJ5.1B	ROMF KOREA	UZ-S.1HSB	PYUNGCHANG			1				
19	Q7	FET	2N7000	FAIRCHILD					1				
20	#R31	D-SMALL	ISS133	ROMF KOREA	1N4148M	PYUNGCHANG			1				

Sun - Korea Electronic Co., Ltd.

【PARTS LIST】

MODEL NO : U07 - 1108 - L010 - 02 / 04
 MODEL 号 : A4S7
 DATE : OCT., 08, 2001

NO	COMPONENT SYMBOL	COMPONENT NAME	TYPE	DESCRIPTION 1	Vendor 1	TYPE & DESCRIPTION 2	Vendor 2	TYPE & DESCRIPTION 3	Vendor 3	QTY	S	P	F	C
1	C1,2,3,19,20	C-ALUMINIUM	RG1VHB337M	SAM WHA	KMF1VVB331MMC	SAM YOUNG				5	3SV	330u		
2	C11,12,13	C-ALUMINIUM	RG1EHB337M	SAM WHA	KMF1EVB331MMC	SAM YOUNG				3	2SV	330u		
3	C4,14	C-ALUMINIUM	RG1VJB336M	SAM WHA	KMF1VVB330MMC	SAM YOUNG				2	3SV	33u		
4	C5,6,7,8,15	C-MYLAR	DEISSOV103J	SE WHA	HMM5OV103J	DAF HHUNG				5				
5	16,17,18,21									4				
6	22,25									2				
7	C9	C-MYLAR	DEISSOV102J	SE WHA	HMM5OV102J	DAF HHUNG				1				
8	C23,24	C-MYLAR	DEISSOV104J	SE WHA	HMM5OV104J	DAF HHUNG				2				
9	C10	C-ALUMINIUM	RD1EHB108MAP10020	SAM WHA						1	3SV	1000u		

P A R T S · L I S T

MODEL NO : U07 - 1108 - L010 - 03 / 04
 MODEL # : A457
 DATE : OCT., 08., 2001

NO	COMPONENT SYMBOL	COMPONENT NAME	TYPE	DESCRIPTION 1	Vendor 1	TYPE & DESCRIPTION 2	Vendor 2	TYPE & DESCRIPTION 3	Vendor 3	QTY	S	P	F	C
1	R3	R-CARBON	RD1/8W10KJ	ABCO	RD1/8W10KJ	LBPACOM				1				
2	R4	R-CARBON	RD1/8W3.6KJ	ABCO	RD1/8W3.6KJ	LBPACOM				1				
3	R5	R-CARBON	RD1/4W10KJ	ABCO	RD1/4W10KJ	LBPACOM				1				
4	R6,21	R-CARBON	RD1/8W3.3KJ	ABCO	RD1/8W3.3KJ	LBPACOM				2				
5	R7	R-CARBON	RD1/8W5.6KJ	ABCO	RD1/8W5.6KJ	LBPACOM				1				
6	R8,23	R-CARBON	RD1/8W330KJ	ABCO	RD1/8W330KJ	LBPACOM				2				
7	R9,24	R-CARBON	RD1/8W3.9KJ	ABCO	RD1/8W3.9KJ	LBPACOM				2				
8	R11	R-CARBON	RD1/8W5.6J	ABCO	RD1/8W5.6J	LBPACOM				1				
9	R12,34	R-CARBON	RD1/4W1KJ	ABCO	RD1/4W1KJ	LBPACOM				2				
10	R13	R-CARBON	RD1/8W20J	ABCO	RD1/8W20J	LBPACOM				1				
11	R14,22,#R22	R-CARBON	RD1/8W2.7KJ	ABCO	RD1/8W2.7KJ	LBPACOM				3				
12	R15	R-CARBON	RD1/8W150J	ABCO	RD1/8W150J	LBPACOM				1				
13	R17	R-CARBON	RD1/8W27KJ	ABCO	RD1/8W27KJ	LBPACOM				1				
14	R18	R-CARBON	RD1/8W51KJ	ABCO	RD1/8W51KJ	LBPACOM				1				
15	R19	R-CARBON	RD1/8W180J	ABCO	RD1/8W180J	LBPACOM				1				
16	R20	R-FUSIBLE	PNFR1/4W33J	ABCO	PNFR1/4W33J	LBPACOM				1				
17	R26,28	R-CARBON	RD1/8W12J	ABCO	RD1/8W12J	LBPACOM				2				
18	R16,27,29	R-CARBON	RD1/8W100J	ABCO	RD1/8W100J	LBPACOM				3				
19	R35	R-CARBON	RD1/8W47KJ	ABCO	RD1/8W47KJ	LBPACOM				1				
20	R30,#R30	R-CARBON	RD1/8W100KJ	ABCO	RD1/8W100KJ	LBPACOM				2				

Sun - Korea Electronic Co., Ltd.

P A R T S · L I S T

MODEL NO : U07 - 1108 - L010 - 04 / 04
 MODEL 명 : A457
 DATE : OCT., 08, 2001

NO	COMPONENT SYMBOL	COMPONENT NAME	TYPE & DESCRIPTION 1	Vendor 1	TYPE & DESCRIPTION 2	Vendor 2	TYPE & DESCRIPTION 3	Vendor 3	QTY	S	P	F	C
1	R32	R-METAL OXIDE	RSS2W10J	ABCO	RSS2W10J	LBPACOM			1				
2	RVI,2	R-VARIABLE	2SPRIK	HI	FVNDJAA03B13	마쯔시다			2				
3	#F1,P2	FUSE HOLDER	FH51-H	YFON HO					2				
4	#CN1	WAFER	S273-02A	MOLFX					1				
5	#CN3	WAFER	S273-03A	MOLFX					1				
6	#CN4	CONNECTOR	S3014-0210	MOLFX					1				
7	#JP3,4,5,6,7								5				
8	8,9,10,11	JUMPER WIRE	STG-30-10						4	10mm			
9	#JP12	JUMPER WIRE	STG-2S-5						1	5mm			
10	#D4,Q3,D6	HEAT SINK	4M11-2532	엔리버텍					1				
11	#INLET	DC JACK	IJ-DJ1001	인진산업					1				*
12	#DC JACK OUT	HARNESS	SK-HN-1051	농성전자					1				
13	#SCREW	SCREW	PH-M3X8(Zn)	가나상사					3				
14	#Q3	RUBBER	T0220	APFX					1				
15	#Q3	HUSHING	SK-HU-0002	SUN					1				
16	#HARNESS	HARNESS	SK-HN-1053	농성전자					1	GROUND			
17	#HARNESS	HARNESS	SK-HN-1054	농성전자					1				
18	#BAG	CONDUCTIVE BAG	180X210	농성테크					1				
19	#BOX		420X380X255	B-0007					1				
20	#BOX		411X317X112	B-108					1				

【 P A R T S ' L I S T 】

MODEL NO : U07 - 1108 - L010 - 06 / 04
MODEL NO : A457
DATE : OCT. 26, 2001

NO	COMPONENT SYMBOL	COMPONENT NAME	TYPE & DESCRIPTION 1	Vendor 1	TYPE & DESCRIPTION 2	Vendor 2	TYPE & DESCRIPTION 3	Vendor 3	QTY	S	P	E	C
1	#CORE HARNESS	RING CORE	SC28A	NETRONTech					1				
2	#R31	D-ZENER	MTZJ8.2C	ROME KOREA	UZ-8.2BSC	PYUNGCHANG			1	1/2W	8.2C		

Sun - Korea Electronic Co Ltd