

MODEL ER-A237P

PRINTER:LTP-1245

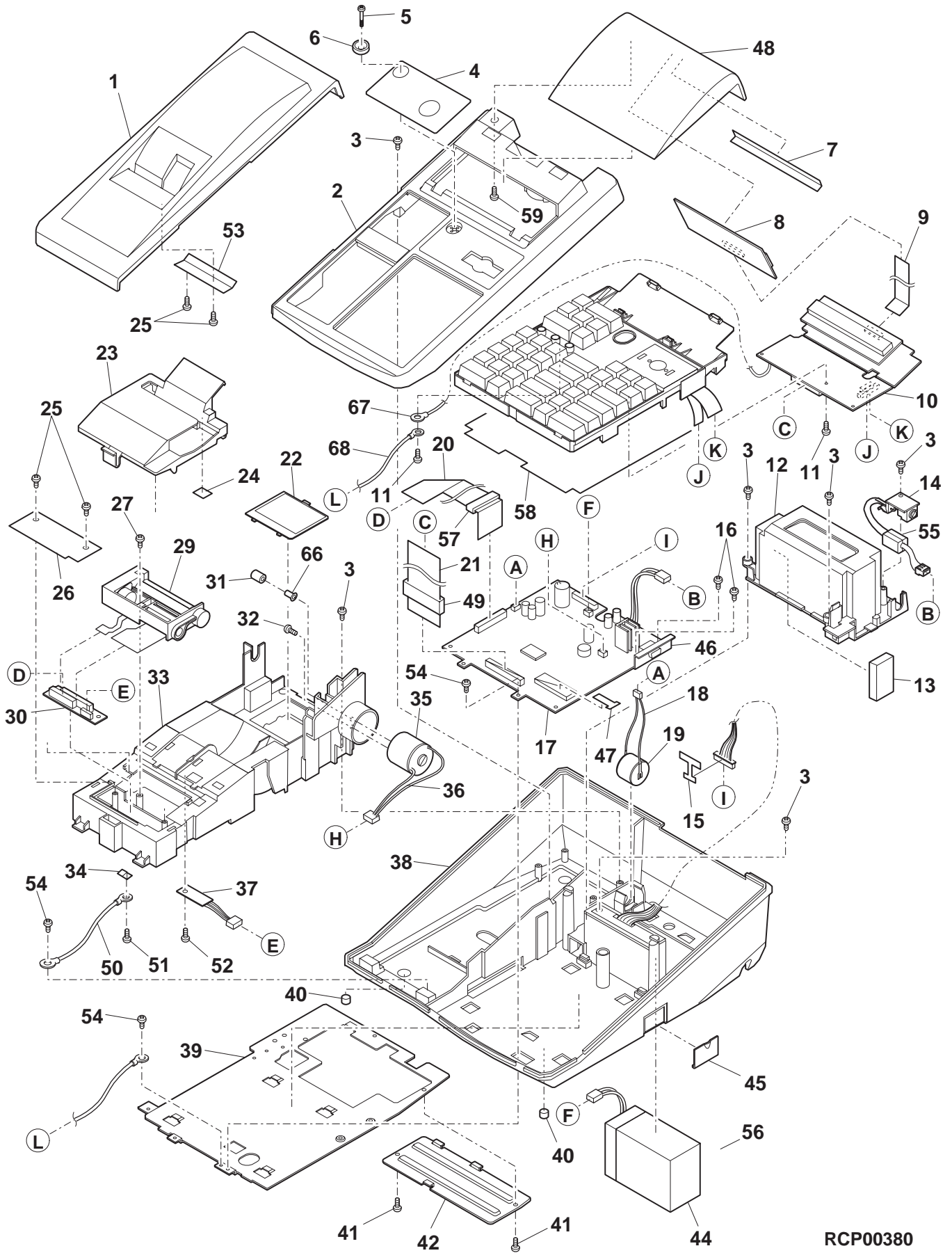
SRV KEY:LKGIM7113BHZZ

CONTENTS

- 1 Exteriors
 - 2 Keyboard unit
 - 3 Packing material & Accessories
 - 4 Main PWB unit
 - 5 Key I/F PWB unit
 - 6 Rear display PWB unit
 - 7 DC Jack PWB unit
 - 8 Printer I/F PWB unit
 - 9 Sensor PWB unit
 - 10 Articles for consumption
 - 11 Service options & Service tools
- Index

Parts marked with "△" are important for maintaining the safety of the set. Be sure to replace these parts with specified ones for maintaining the safety and performance of the set.

1 Exteriors



RCP00380

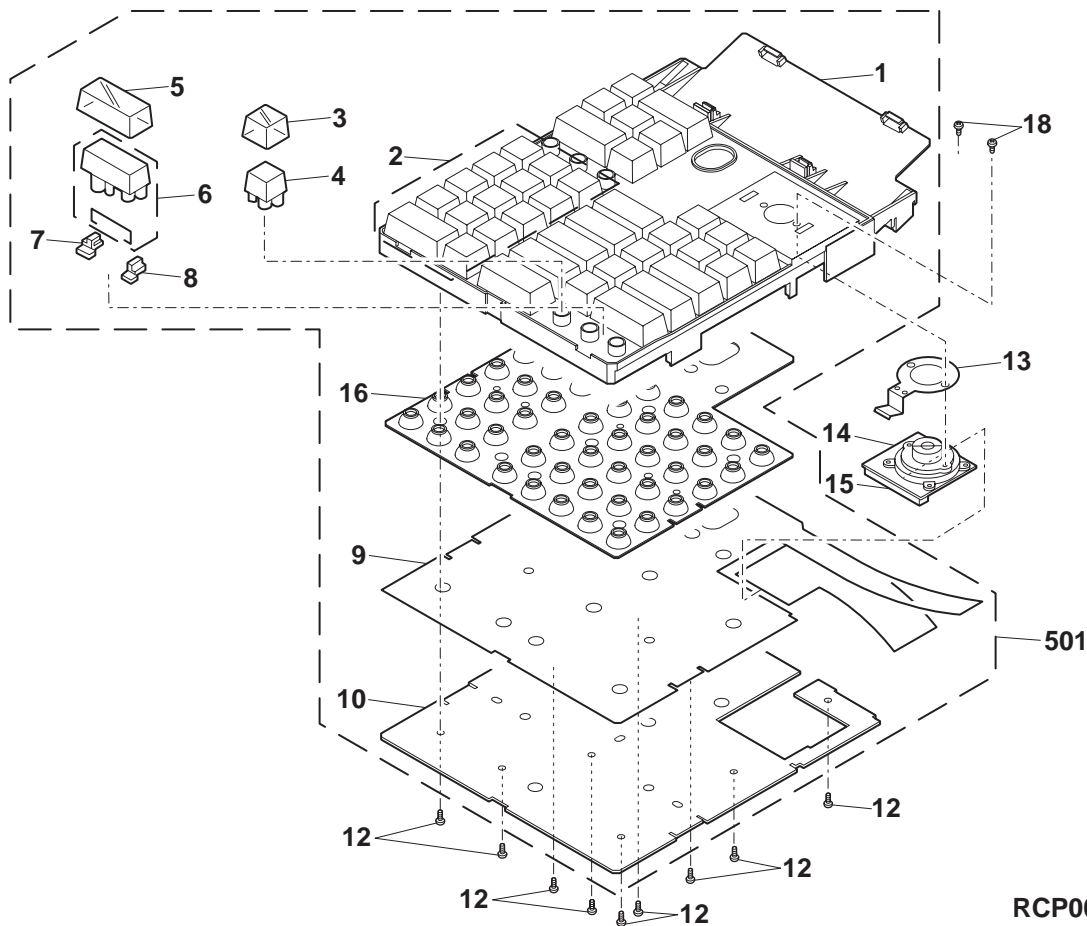
2 Keyboard unit

NO.	PARTS CODE	PRICE RANK	NEW MARK	PART RANK	DESCRIPTION
1	LFRM-2360BHZA	BC		D	Key frame
2	JKNBZ6905BHZZ	AF		C	Key top (0)
	JKNBZ6908BHZZ	AK		C	Key top (.)
	JKNBZ6909BHZZ	AK		C	Key top (X)
	JKNBZ6911BHZZ	AK		C	Key top (1)
	JKNBZ6912BHZZ	AK		C	Key top (2)
	JKNBZ6913BHZZ	AK		C	Key top (3)
	JKNBZ6914BHZZ	AK		C	Key top (4)
	JKNBZ6915BHZZ	AK		C	Key top (5)
	JKNBZ6916BHZZ	AK		C	Key top (6)
	JKNBZ6917BHZZ	AK		C	Key top (7)
	JKNBZ6918BHZZ	AK		C	Key top (8)
	JKNBZ6919BHZZ	AK		C	Key top (9)
	JKNBZ6920BHZZ	AK		C	Key top (00)
	JKNBZ6907BHZZ	AK		C	Key top (CL)
3	JKNBZ6897BHSA	AH		C	Key cap (1x1)
4	JKNBZ6896BHZA	AG		C	Key top (1x1)
5	JKNBZ6899BHSA	AK		C	Key cap (1x2)
6	JKNBZ6898BHZZ	AH		C	Key top (1x2)
7	LHLDZ6837BHZZ	AE		C	Holder L (YELLOW)
8	LHLDZ6836BHZZ	AE		C	Holder R (WHITE)
9	PSHEP2875BHZZ	BD		C	Sheet ass'y
10	LPLTM2355BHZZ	AX		C	Key plate
12	XEBSD30P06000	AA		C	Screw (3x6)
13	LANGQ7604BHZZ	AG		C	Mode sw angle
14	LKGiW0001BHZA	AS		B	Mode sw(body)
15	QCNCM7136BHZZ	AB		C	Connector (MLX 5229-13APB)
16	PGUMM2407BHZZ	BA		C	Key rubber
18	XJPSD30P06000	AA		C	Screw (3x6) [MODE SW]
101	CLABH2496BH02	AX		D	Key label
501	DUNTK3933BH05	BN		E	Key board unit [include No.1~10,16,101]

3 Packing material & Accessories

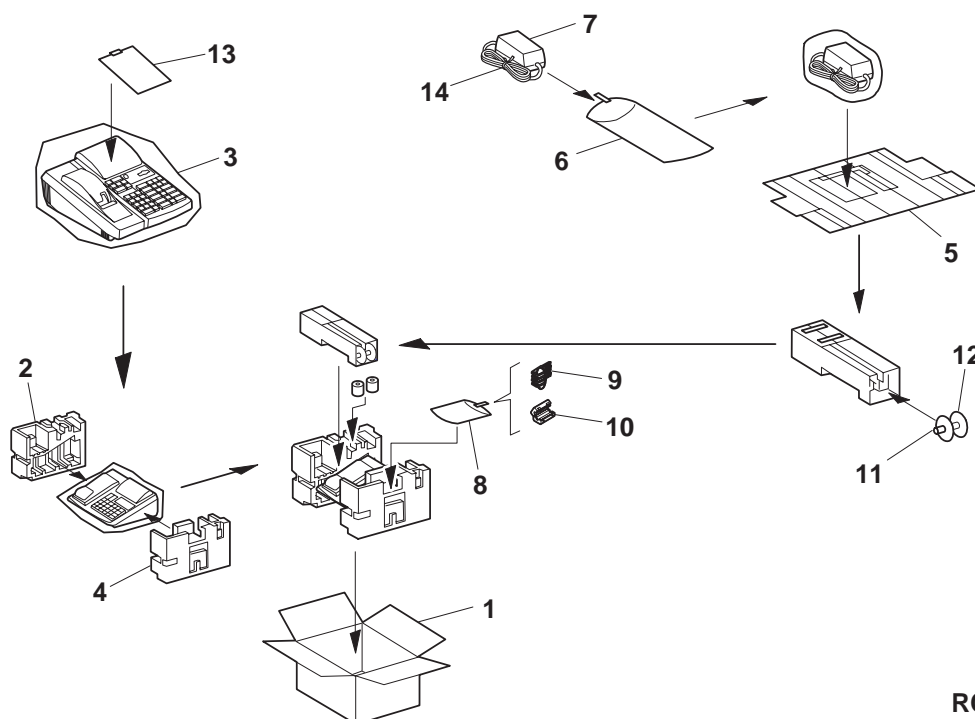
NO.	PARTS CODE	PRICE RANK	NEW MARK	PART RANK	DESCRIPTION
1	SPAKC3077BHSA	AY	N	D	Packing case
2	SPAKA3078BHZZ	AP		D	Packing add L
3	SSAKH0021SCZZ	AC		D	Vinyl bag (590x640mm)
4	SPAKA3078BHZR	AP		D	Packing add R
5	SPAKA3095BHZZ	AV		D	Sleeve
6	SSAKH3015CCZZ	AA		D	Vinyl bag (200x300mm)
7	DUNT-5973BHZZ	BL		E	Adapter unit
8	SSAKH3012CCZZ	AA		D	Vinyl bag (80x120mm)
9	LKGiM7110BHZZ	AE		B	MA key (MA)
	LKGiM7111BHZZ	AE		B	OP key (OP)
10	RCORF6699BHZZ	AU		C	Core (BNF28)
11	PGiDH2398BHZZ	AF		C	P/G wheel
12	UREL-6631BHZZ	AH		D	Spool
13	TCADH6788BHZA	AC		D	Caution card (Black)
14	UBNDA6629BHZZ	AA		C	AC cord band (4mmx200mm)(Green)

2 Keyboard unit



RCP00381

3 Packing material & Accessories



RCP00382

4 Main PWB unit

NO.	PARTS CODE	PRICE RANK	NEW MARK	PART RANK	DESCRIPTION
1	LX-BZ6776BHZZ	AA		C	Screw [Q8(for HEAT SINK fixed)]
2	PRDAF2375BHZZ	AH		C	Heat sink A [Q8]
3	PRDAF2376BHZZ	AG		C	Heat sink B [Q8]
4	PRDAF6656BHZZ	AK		C	Heat sink [Q8]
5	QCNCM1101BHZZ	AC		C	Connector (5273-2)(2P) [CN1]
6	QCNCM5278NCZZ	AC		C	Connector (3pin)(5046-03A) [CN10]
7	QCNCM6865BH0B	AB		C	Connector (5267-02A) [CN11]
8	QCNCM6865BH1A	AE		C	Connector (Mode S/W)(5267-11A) [CN5]
9	QCNCM7125BH0i	AN		C	Connector ((9P) MLX 87023-6066)) [CN9]
10	QCNCW2822BH2F	AH		C	Connector (52045-2645) [CN7]
11	QCNCW2822BH3D	AK		C	Connector (K/B)(52045-3445) [CN8]
12	QCNCW7081BHZZ	AB		C	Connector (2P)(5267-02A)(Blue) [CN4]
13	QCNCW7287BH0B	AG		C	Connector (PB BAT)(5219-02A) [CN2]
14	QFS-C1035CCZZ	AE		A	Fuse (1.6A 250V) [F1]
15	QFS-C2521TAZZ	AE		A	Fuse (T2.5AL/250V) [F2]
16	QFSDH2109AFZZ	AC		C	Fuse holder (HD2109AF) [F1,F2]
17	QSOCZ2042SC32	AE		C	IC socket (32pin) [IC17]
18	RALMB6646BHZZ	AQ		B	Buzzer (RALMB6646BHZA) [BZ1]
19	RCiLC2415BHZZ	AH		C	Coil (22μH) [L3]
20	RCiLC2416BHZZ	AH		C	Coil (170μH) [L2]
21	RCiLC6653BHZZ	AS		C	Choke coil (180μH) [L1]
22	RCiLZ1003BHZZ	AF		C	Dip coil (BFW7550R2) [BD1]
	RCiLZ1003BHZZ	AF		C	Dip coil (BFW7550R2) [BD2]
23	RCORF7002BHZZ	AE		C	Chip core (EFCB322513TS) [FB1,2,3,4,5,6,7,8,10,11]
24	RCRSP6676RCZZ	AG		B	X-TAL (32.768KHz) [X1]
25	RCRSZ2401RCZZ	AL		B	X-TAL (MA-406/12MHz) [X3]
26	RVR-M5318QCZZ	AC		B	Variable resistor (5K)(8V3P) [VR1]
27	VCCCTV1HH100J	AA		C	Capacitor (50WV 10PF) [C16,30]
28	VCCCTV1HH101J	AA		C	Capacitor (50WV 100PF) [C100,101,102,103,120]
29	VCCCTV1HH120J	AA		C	Capacitor (50WV 12pF) [C29]
30	VCCCTV1HH150J	AA		C	Capacitor (50WV 15PF) [C32]
31	VCCCTV1HH221J	AA		C	Capacitor (50WV 220PF) [C111]
	VCCCTV1HH330J	AA		C	Capacitor (50WV 33pF) [C7,8,9,10,11,12,13,14,17,18,19,20,21]
32	VCCCTV1HH330J	AA		C	Capacitor (50WV 33pF) [C22,23,24,25,27,28,36,37,38,39,40,41,42]
	VCCCTV1HH330J	AA		C	Capacitor (50WV 33pF) [C43,44,45,104]
	VCCCTV1HH330J	AA		C	Capacitor (50WV 33pF) [C35]
33	VCEAEU1CW106M	AA		C	Capacitor (16WV 10μF) [C1]
34	VCEAGA1CW107M	AC		C	Capacitor (100μF/16V) [C61]
35	VCEAGA1CW337M	AB		C	Capacitor (16WV 330μF) [C48,65]
36	VCEAGA1HW106M	AA		C	Capacitor (50WV 10μF) [C4,5,15,26,34,50,51,52,72,73,94]
37	VCEAGA1HW335M	AB		C	Capacitor (50WV 3.3μF) [C68]
38	VCEAGA1HW474M	AB		C	Capacitor (50WV 0.47μF) [C108]
39	VCEAGA1VW108M	AG		C	Capacitor (1000μF/35V) [C59]
40	VCEAGA1VW228M	AK		C	Capacitor (2200μF/35V) [C66]
41	VCEAGD1CW108M	AE		C	Capacitor (16WV 1000μF) [C64]
42	VCEAGD1CW478M	AP		C	Capacitor (4700μF/16V) [C47,83]
43	VCKRTQ1CX474K	AD		C	Capacitor (16WV 0.47μF) [C62]
44	VCKYTV1CB474K	AC		C	Capacitor (16WV 0.47μF) [C113]
45	VCKYTV1HB102K	AA		C	Capacitor (50WV 1000PF) [C78,95,96,97,98,99]
46	VCKYTV1HB103K	AB		C	Capacitor (50WV 0.010μF) [C84,85,86,88]
47	VCKYTV1HB152K	AA		C	Capacitor (50WV 1500PF) [C58]
	VCKYTV1HF104Z	AA		C	Capacitor (50WV 0.10μF) [C2,3,91,92]
48	VCKYTV1HF104Z	AA		C	Capacitor (50WV 0.10μF) [C6,33,53,63,67,69,70,71,74,75]
	VCKYTV1HF104Z	AA		C	Capacitor (50WV 0.10μF) [C76,77,80,81,82,87,89,90,93,109]
49	VHD1SR159/-1	AF		B	Chip diode (1SR159-200) [D32]
50	VHD1SS355/-1	AB		B	Diode (1SS355) [D3,12,14,15,16,17,18,19,20]
	VHD1SS355/-1	AB		B	Diode (1SS355) [D25,29,30,31,33]
51	VHDD10SC4M//1	AK		B	Diode (D10SC4M)(VHDD10SC4M//1) [D26]
52	VHDFMB-G24H/1	AH		B	Diode (FMG-G24H) [D5,11]
53	VHDRB160L-401	AG		B	Diode (RB160L-40) [D7,8,9,10]
	VHD1SS355/-1	AB		B	Diode (1SS355) [D21:Only 1st lot used]
54	VHDRB501V40-1	AD		B	Diode (RB501V-40) [D21:From 2nd lot use]
55	VHEMTZJ6.2C-1	AC		B	Zener diode (MTZJ 6.2C) [ZD2]
56	VHEPTZ6.2A/-1	AH		B	Zener diode (PTZ6.2A) [ZD3]
57	VHEPTZ9.1B+-1	AG		B	Zener diode (PTZ9.1B) [ZD4]
58	VHEUDZS8.2B-1	AC		B	Zener diode (UDZ8.2B)(VHEUDZ8.2B/-1) [ZD5]
59	VHHRXE135//1	AG		B	Poly sw (RXE135) [F3]
60	VHi30624MG214	BB		B	CPU (M30624FGFP) [IC2]
61	VHi27020RBH1A	BG	N	B	EP-ROM (2M)(27020RBH1A) [IC17]
62	VHiBA10393F-1	AC		B	IC (BA10393F) [IC19]
63	VHiBA7812FP-E	AK		B	IC (BA7812FP-E2) [IC6]
64	VHiG76C256F70	BC		B	IC (G76D256F70) [IC5]
65	VHiKIA431F/-1	AK		B	IC (KIA431F) [IC1]
66	VHiLB1843V/-1	AM		B	IC (LB1843V) [IC14,15]
67	VHiMAX1627ESA	BA		B	IC (MAX1627) [IC9]
68	VHiMAX211CAi-	BB		B	IC (MAX211) [IC16]
69	VHiMC34063AM1	AG		B	IC (MC34063AM1) [IC8]
70	VHiMC74HC123F	AM		B	IC (74HC123)(VHISN74HC123D)(VHIMC74HC123-) [IC13]
71	VHiSN74HC32DR	AG		B	IC (SN74HC32D) [IC11]
72	VHiMC74HC374F	AG		B	IC (MC74HC374F)(VHISN74HC374D) [IC3]

4 Main PWB unit

NO.	PARTS CODE	PRICE RANK	NEW MARK	PART RANK	DESCRIPTION
73	V H i W 4 2 C 3 1 0 3 G /	AU		B	IC (W42C31-03G) [IC18]
74	V H V i C P S 0 . 5 / - 1	AF		B	IC-protector (ICPS0.5) [ICP1]
75	V R S - H T 3 D G 3 R 9 J	AG		C	Resistor (2W 3.9Ω ±5%) [R149,150]
76	V R S - R E 3 A A R 2 2 J	AA		C	Resistor (1W 0.22Ω ±5%) [R66]
77	V R S - T P 2 E G 1 R 0 J	AC		C	Resistor (1/4W 1Ω ±5%) [R106,108,133,134]
78	V R S - T Q 2 B B 1 0 2 J	AA		C	Resistor (1/4W 1KΩ±5%) [R144,145]
79	V R S - T S 2 E P 1 5 1 J	AA		C	Resistor (1/4W 150Ω ±5%) [R103]
80	V R S - T S 2 A D 0 0 0 J	AA		C	Resistor (1/10W 0Ω ±5%) [R138]
81	V R S - T S 2 A D 1 0 1 J	AA		C	Resistor (1/10W 100Ω ±5%) [R122,123,124,125,126]
82	V R S - T S 2 A D 1 0 2 F	AA		C	Resistor (1/10W 1KΩ ±1%) [R105,131]
83	V R S - T S 2 A D 1 0 3 F	AA		C	Resistor (1/10W 10KΩ ±1%) [R141]
84	V R S - T S 2 A D 1 0 3 J	AA		C	Resistor (1/10W 10KΩ ±5%) [R5,6,7,8,9,10,11,12,13,14,15,16,17,18]
	V R S - T S 2 A D 1 0 3 J	AA		C	Resistor (1/10W 10KΩ ±5%) [R19,22,24,25,27,28,29,30,31,32,33,34,45]
	V R S - T S 2 A D 1 0 3 J	AA		C	Resistor (1/10W 10KΩ ±5%) [R20,23,26,46,47,85,91,94,95]
	V R S - T S 2 A D 1 0 3 J	AA		C	Resistor (1/10W 10KΩ ±5%) [R119,121,135]
	V R S - T S 2 A D 1 0 3 J	AA		C	Resistor (1/10W 10KΩ ±5%) [R127,128,140]
85	V R S - T S 2 A D 1 0 4 J	AA		C	Resistor (1/10W 100KΩ ±5%) [R92,93,118]
86	V R S - T S 2 A P 1 1 2 F	AB		C	Resistor (1/10W 1.1KΩ ±1%) [R76]
87	V R S - T S 2 A D 1 2 2 J	AA		C	Resistor (1/10W 1.2KΩ ±5%) [R55,88]
88	V R S - T S 2 A D 1 3 3 F	AA		C	Resistor (1/10W 13KΩ ±1%) [R142]
89	V R S - T S 2 A D 1 5 1 J	AA		C	Resistor (1/10W 150Ω ±5%) [R79]
90	V R S - T S 2 A D 1 5 2 J	AA		C	Resistor (1/10W 1.5KΩ ±5%) [R52]
91	V R S - T S 2 A D 1 5 3 J	AA		C	Resistor (1/10W 15KΩ ±5%) [R63,65,130]
92	V R S - T S 2 A D 1 8 1 J	AA		C	Resistor (1/10W 180Ω ±5%) [R51]
	V R S - T S 2 A D 1 8 1 J	AA		C	Resistor (1/10W 180Ω ±5%) [R78]
93	V R S - T S 2 A D 1 8 2 J	AA		C	Resistor (1/10W 1.8KΩ ±5%) [R96]
94	V R S - T S 2 A D 1 8 3 J	AA		C	Resistor (1/10W 18KΩ ±5%) [R48,75,86,97]
95	V R S - T S 2 A D 2 2 1 J	AA		C	Resistor (1/10W 220Ω ±5%) [R99,100,101]
96	V R S - T S 2 A D 2 2 2 J	AA		C	Resistor (1/10W 2.2KΩ ±5%) [R62,64,129]
97	V R S - T S 2 A D 2 2 3 J	AA		C	Resistor (1/10W 22KΩ ±5%) [R82]
98	V R S - T S 2 A D 2 4 1 J	AA		C	Resistor (1/10W 240Ω ±5%) [R35]
99	V R S - T S 2 A D 2 7 2 F	AA		C	Resistor (1/10W 2.7KΩ ±1%) [R116]
100	V R S - T S 2 A D 3 0 2 F	AB		C	Resistor (1/10W 3.0KΩ ±1%) [R107,117]
101	V R S - T S 2 A D 3 0 3 F	AA		C	Resistor (1/10W 30KΩ ±1%) [R84]
102	V R S - T S 2 A D 3 3 0 J	AA		C	Resistor (1/10W 33Ω ±5%) [R137]
103	V R S - T S 2 A D 3 3 1 J	AA		C	Resistor (1/10W 330Ω ±5%) [R1]
	V R S - T S 2 A D 3 3 1 J	AA		C	Resistor (1/10W 330Ω ±5%) [R146]
104	V R S - T S 2 A D 3 3 2 F	AA		C	Resistor (1/10W 3.3KΩ ±1%) [R115]
105	V R S - T S 2 A D 3 3 2 J	AA		C	Resistor (1/10W 3.3KΩ ±5%) [R54]
	V R S - T S 2 A D 3 3 2 J	AA		C	Resistor (1/10W 3.3KΩ ±5%) [R87]
106	V R S - T S 2 A D 3 3 3 F	AB		C	Resistor (1/10W 33KΩ ±1%) [R89]
107	V R S - T S 2 A D 3 6 2 F	AA		C	Resistor (1/10W 3.6KΩ ±1%) [R77]
108	V R S - T S 2 A D 4 7 2 J	AA		C	Resistor (1/10W 4.7KΩ ±5%) [R132]
	V R S - T S 2 A D 4 7 2 J	AA		C	Resistor (1/10W 4.7KΩ ±5%) [R148]
109	V R S - T S 2 A D 4 7 3 J	AA		C	Resistor (1/10W 47KΩ ±5%) [R151,152,153,154,155,156,157,158,159-163,170]
110	V R S - T S 2 A D 5 6 1 J	AA		C	Resistor (1/10W 560Ω ±5%) [R147]
111	V R S - T S 2 A D 5 6 3 J	AA		C	Resistor (1/10W 56KΩ ±5%) [R68,69,70,71,83]
112	V R S - T S 2 A D 6 8 0 F	AA		C	Resistor (1/10W 68Ω ±1%) [R67]
113	V R S - T S 2 A D 8 2 1 J	AA		C	Resistor (1/10W 820Ω ±5%) [R56]
114	V R S - T X 2 H P 2 2 2 J	AA		C	Resistor (1/2W 2.2KΩ ±5%) [R143]
115	V S 2 S B 1 3 4 0 / - 1	AL		B	Transistor (2SB1340) [Q13]
116	V S 2 S B 8 8 3 - / - 1	AL		B	Transistor (2SB883) [Q8]
117	V S 2 S C 2 4 1 2 K / - 1	AB		B	Transistor (2SC2412K) [Q1]
	V S 2 S C 2 4 1 2 K / - 1	AB		B	Transistor (2SC2412K) [Q21]
118	V S 2 S D 2 1 7 0 / - 1	AH		B	Transistor (2SD2170) [Q4,7]
119	V S 2 S J 3 2 8 - Z / - 1	AP		B	Transistor (2SJ328-Z) [Q9,16]
	V S 2 S K 2 7 3 1 / - 1	AD		B	Chip FET (2SK2731) [Q10,17,18,19]
120	V S K R C 1 1 1 S / - 1	AD		B	Transistor (KRC111S) [Q20:Only 1st lot used]
	V S 2 S K 2 7 3 1 / - 1	AD		B	Chip FET (2SK2731) [Q20:From 2nd lot use]
121	V S K R A 1 0 6 S / - 1	AF		B	Transistor (KRA106S) [Q5,15]
122	V S K R C 1 0 6 S / - 1	AD		B	Transistor (KRC106S) [Q2,6,14]
123	V S K T A 1 6 6 4 / - 1	AD		B	Transistor (KTA1664) [Q3]
124	X H P S D 3 0 P 0 6 0 0 0	AA		C	Screw (3×6) [Q8(for HEAT SINK fixed)]
	(Unit)				
901	C P W B N 2 8 9 8 B H 0 1	CA	N	E	MAIN PWB UNIT [Only 1st lot used]
	C P W B N 2 8 9 8 B H 0 2	CA	N	E	MAIN PWB UNIT [From 2nd lot]

5 Key I/F PWB unit

NO.	PARTS CODE	PRICE RANK	NEW MARK	PART RANK	DESCRIPTION
1	QCNCW2822BH1A	AF		C	Connector (K/B)(52045-1145) [CN10]
2	QCNCW2822BH2A	AH		C	Connector (K/B)(52045-2145) [CN16]
3	QCNCW2823BH3D	AK		C	Connector (52044-3445) [CN15]
4	QCNCW7202BH2J	AK		C	Connector (52807-2010) [CN14]
5	QCNW-3126BHZZ	AD		C	GND wire 7
6	QCNW-3127BHZZ	AE		C	GND wire 8 [G1]
7	QCNW-3129BHZZ	AD		C	GND wire 9 [G3]
8	QCNW-3131BHZZ	AE	N	C	AWG #22 wire 1 [G2,G4]
9	QCNW-3132BHZZ	AC	N	C	AWG #22 wire 2 (WHITE)
10	QSW-S0744AFZZ	AG		B	Reset switch (SSS312) [S1]
11	RC-KZ1054CCZZ	AB		C	Capacitor (50WV 0.1μF)(RPE132-906) [C100,101,102]
12	VCEAGA1HW106M	AA		C	Capacitor (50WV 10μF) [C105,C106]
13	VCKYPU1HB101K	AA		C	Capacitor (50WV 100PF)(VCKYPA1HB101K) [C103,104,107,108,109,110]
14	VHDDSS133HV-1	AA		B	Diode (DSS133HV) [D21,22,23,24,25,26,27,28,29,30,31,32]
15	VHiKiD65083AP	AM		B	IC (KID65083AP) [IC17]
16	VHiSN74HC138N	AL		B	IC (74HC138) [IC18,19]
17	VHPHDSF5621-1	AM		B	LED (2SEG GREEN)(HDSP5621) [FND1,2,3,4,5]
18	VRD-RC2EY103J	AA		C	Resistor (1/4W 10KΩ ±5%) [R145]
19	VRD-RC2EY121J	AA		C	Resistor (1/4W 120Ω ±5%) [R148-157]
20	VRD-RC2EY123J	AA		C	Resistor (1/4W 12KΩ ±5%) [R134,135,136,137,138,139,140,141,142,143]
21	VRD-RC2EY300J	AA		C	Resistor (1/4W 30Ω ±5%) [R1,2,3,4,5,6,7,8]
22	VRD-RC2EY473J	AA		C	Resistor (1/4W 47KΩ ±5%) [R127,128,129,130,131,132,133,144]
23	VSDTA143ZK/-1	AB		B	Transistor (DTA143ZK)(VSKRA101M/-1) [Q29,30,31,32,33,34,35,36,37,38]
24	VSDTC114TK/-1	AA		B	Transistor (DTC114TK)(VSKRC111M/-1) [Q40]
25	VSKTA1273Y/-1	AF		B	Transistor (KTA1273Y)(VSKTA1273Y/-1) [Q20,21,22,23,24,25,26,27,28,39]
	(Unit)				
901	CPWBF2899BH01	BM	N	E	KEY I/F PWB UNIT

6 Rear display PWB unit

NO.	PARTS CODE	PRICE RANK	NEW MARK	PART RANK	DESCRIPTION
1	QCNCW7202BH2J	AK		C	Connector (52807-2010) [CN1]
2	VHPHDSPPF501-1	AH		B	LED (HDSP-F501#S02)(10mm) [FND1,2,3,4,5,6,7,8,9,10]
3	VRD-RC2EY270J	AA		C	Resistor (1/4W 27Ω ±5%) [R1,2,3,4,5,6,7,8]
	(Unit)				
901	CPWBF2839BH01	BH		E	Rear displ PWB unit

7 DC Jack PWB unit

NO.	PARTS CODE	PRICE RANK	NEW MARK	PART RANK	DESCRIPTION
1	QCNCW2824BHZZ	AQ		C	DC power jack
2	QCNW-3047BHZZ	AL		C	DC cable
	(Unit)				
901	CPWBF2843BH01	BA		E	DC Jack PWB unit

8 Printer I/F PWB unit

NO.	PARTS CODE	PRICE RANK	NEW MARK	PART RANK	DESCRIPTION
1	QCNCM7176BH0C	AC		C	Connector (53014-0310) [CN20]
2	QCNCW2822BH2F	AH		C	Connector (52045-2645) [CN17]
3	QCNCW2822BH2J	AG		C	Connector (52045-2045) [CN19]
4	QCNCW7201BH0i	AH		C	Connector (52806-0910) [CN18]
5	VCKYTV1HF104Z	AA		C	Capacitor (50WV 0.10μF) [C57,C106]
	(Unit)				
901	CPWBN2842BH01	BH		E	PR i/f PWB unit

Index

PARTS CODE	NO.	PRICE RANK	NEW MARK	PART RANK
【C】				
CLABH2496BH02	2-101	AX		D
CMOTM2319BHZZ	1-101	AY	N	E
CPWBF2839BH01	1- 8	BH		E
/"	6-901	BH		E
CPWBF2841BH01	1- 37	AZ		E
/"	9-901	AZ		E
CPWBF2843BH01	1- 14	BA		E
/"	7-901	BA		E
CPWBF2899BH01	1- 10	BM	N	E
/"	5-901	BM	N	E
CPWBN2842BH01	1- 30	BH		E
/"	8-901	BH		E
CPWBN2898BH01	1- 17	CA	N	E
/"	4-901	CA	N	E
CPWBN2898BH02	1- 17	CA	N	E
/"	4-901	CA	N	E
【D】				
DUNT-4104BHZZ	1- 38	BU		E
DUNT-5973BHZZ	3- 7	BL		E
DUNTk3933BH05	2-501	BN		E
【G】				
GCABB2532BHZZ	1- 2	AX		D
GCASB2330BHZZ	1- 12	AP		D
GCÖVB2482BHZZ	1- 1	AU		D
GCÖVH2484BHZZ	1- 45	AF		D
GCÖVH2486BHZZ	11- 1	BD		S
GDAi-2344BHZZ	1- 23	AL		D
GFTAB6775BHSD	1- 22	AE		D
GLEGG6659BHZZ	1- 40	AE		D
【H】				
HDECP2366BHSG	1- 4	AM	N	D
【J】				
JKNBZ6896BHZA	2- 4	AG		C
JKNBZ6897BHSA	2- 3	AH		C
JKNBZ6898BHZZ	2- 6	AH		C
JKNBZ6899BHSA	2- 5	AK		C
JKNBZ6902BHSA	11- 4	AH		S
JKNBZ6903BHSA	11- 5	AR		S
JKNBZ6905BHZZ	2- 2	AF		C
JKNBZ6907BHZZ	2- 2	AK		C
JKNBZ6908BHZZ	2- 2	AK		C
JKNBZ6909BHZZ	2- 2	AK		C
JKNBZ6911BHZZ	2- 2	AK		C
JKNBZ6912BHZZ	2- 2	AK		C
JKNBZ6913BHZZ	2- 2	AK		C
JKNBZ6914BHZZ	2- 2	AK		C
JKNBZ6915BHZZ	2- 2	AK		C
JKNBZ6916BHZZ	2- 2	AK		C
JKNBZ6917BHZZ	2- 2	AK		C
JKNBZ6918BHZZ	2- 2	AK		C
JKNBZ6919BHZZ	2- 2	AK		C
JKNBZ6920BHZZ	2- 2	AK		C
【K】				
Ki-OB2365RCZZ	1- 29	BM		E
【L】				
LANGK2850BHZZ	1- 42	AQ		C
LANGQ2851BHZZ	1- 34	AF		C
LANGQ7604BHZZ	2- 13	AG		C
LANGT2849BHZZ	1- 46	AF		C
LCHSM2375BHZZ	1- 39	AW		C
LFRM-2360BHZA	2- 1	BC		D
LHLDW2383BHZZ	1- 66	AD	N	C
LHLDZ2376BHZZ	1- 33	AR		C
LHLDZ6836BHZZ	2- 8	AE		C
LHLDZ6837BHZZ	2- 7	AE		C
LKGiM7110BHZZ	3- 9	AE		B
LKGiM7111BHZZ	3- 9	AE		B
LKGiM7113BHZZ	11- 2	AF		S
LKGiM7126BHZZ	11- 3	AX		S
LKGiW0001BHZA	2- 14	AS		B
LPLTM2355BHZZ	2- 10	AX		C
LX-BZ2180BHZZ	1- 5	AC		C
LX-BZ6776BHZZ	4- 1	AA		C
LX-BZ6788BHZZ	1- 25	AD		C
【P】				
PCUSG2407BHZZ	1- 13	AH		C
PCUT-2326BHZZ	1- 53	AF		C
PFiLW2429BHZZ	1- 48	AV		D

PARTS CODE	NO.	PRICE RANK	NEW MARK	PART RANK
PGiDH2398BHZZ	3- 11	AF		C
PGUMM2407BHZZ	2- 16	BA		C
PGUMM2437BHZZ	1- 31	AC	N	C
PRDAF2375BHZZ	4- 2	AH		C
PRDAF2376BHZZ	4- 3	AG		C
PRDAF6656BHZZ	4- 4	AK		C
PRNGP6631BHZZ	1- 6	AK		C
PSHEP2875BHZZ	2- 9	BD		C
PSHEP2884BHZZ	1- 24	AG		C
PSHEP2885BHZZ	1- 26	AK		C
PSHEP2889BHZZ	1- 7	AL		C
PSHEP2892BHZZ	1- 58	AP		C
【Q】				
QCNCM1101BHZZ	4- 5	AC		C
QCNCM5278NCZZ	4- 6	AC		C
QCNCM6865BH0B	4- 7	AB		C
QCNCM6865BH1A	4- 8	AE		C
QCNCM7125BH0i	4- 9	AN		C
QCNCM7136BHZZ	2- 15	AB		C
QCNCM7176BH0C	8- 1	AC		C
QCNCW2822BH1A	5- 1	AF		C
QCNCW2822BH2A	5- 2	AH		C
QCNCW2822BH2F	4- 10	AH		C
/"	8- 2	AH		C
QCNCW2822BH2J	8- 3	AG		C
QCNCW2822BH3D	4- 11	AK		C
QCNCW2823BH3D	5- 3	AK		C
QCNCW2824BHZZ	7- 1	AQ		C
QCNCW7081BHZZ	4- 12	AB		C
QCNCW7201BH0i	8- 4	AH		C
QCNCW7202BH2J	5- 4	AK		C
/"	6- 1	AK		C
QCNCW7287BH0B	4- 13	AG		C
QCNCW-3040BHZZ	1- 9	AM		C
QCNCW-3041BHZZ	1- 20	AP		C
QCNCW-3042BHZZ	1- 21	AQ		C
QCNCW-3043BHZZ	1- 36	AE		C
QCNCW-3044BHZZ	1- 18	AE		C
QCNCW-3045BHZZ	1- 56	AN		C
QCNCW-3047BHZZ	7- 2	AL		C
QCNCW-3048BHZZ	9- 1	AF		C
QCNCW-3111BHZZ	1- 68	AF		C
QCNCW-3126BHZZ	5- 5	AD		C
QCNCW-3127BHZZ	5- 6	AE		C
QCNCW-3129BHZZ	1- 67	AD		C
/"	5- 7	AD		C
QCNCW-3131BHZZ	5- 8	AE	N	C
QCNCW-3132BHZZ	5- 9	AC	N	C
QCNCW-7904BHZZ	1- 50	AE		C
QFS-C1035CCZZ	4- 14	AE		A
QFS-C2521TAZZ	4- 15	AE		A
QFSDH2109AFZZ	4- 16	AC		C
QSOCZ2042SC32	4- 17	AE		C
QSW-S0744AFZZ	5- 10	AG		B
【R】				
RALMB6646BHZZ	4- 18	AQ		B
RCiLC2415BHZZ	4- 19	AH		C
RCiLC2416BHZZ	4- 20	AH		C
RCiLC6653BHZZ	4- 21	AS		C
RCiLZ1003BHZZ	4- 22	AF		C
RC-KZ1054CCZZ	5- 11	AB		C
RCORF2341BHZZ	1- 57	AL		C
RCORF2343BHZZ	1- 49	AR		C
RCORF6699BHZZ	1- 55	AU		C
/"	3- 10	AU		C
RCORF7002BHZZ	4- 23	AE		C
RCSRSP6676RCZZ	4- 24	AG		B
RCSRZ2401RCZZ	4- 25	AL		B
RMOTM6633BHZZ	1- 35	AY		B
RVR-M5318QCZZ	4- 26	AC		B
【S】				
SPAKA3078BHZZ	3- 2	AP		D
SPAKA3078BHZZR	3- 4	AP		D
SPAKA3095BHZZ	3- 5	AV		D
SPAKC3077BHSA	3- 1	AY	N	D
SSAKH0021SCZZ	3- 3	AC		D
SSAKH3012CCZZ	3- 8	AA		D
SSAKH3015CCZZ	3- 6	AA		D
【T】				
TCADH6788BHZA	3- 13	AC		D
TLABZ2503BHZZ	1- 47	AC		D

PARTS CODE	NO.	PRICE RANK	NEW MARK	PART RANK
TLABZ7107BHSA	1- 15	AC		D
TPAPR2381RCZZ	10- 1	AY		S
[U]				
UBATN2339BHZZ	1- 44	BQ		B
UBATZ6661BHZZ	1- 19	BA		B
UBNDA6629BHZZ	3- 14	AA		C
UKOG-6634RCZZ	11- 12	AX		S
UKOG-6705RCZZ	11- 11	BC		S
UKOG-6725BHZZ	11- 13	BB		S
UREL-6631BHZZ	3- 12	AH		D
[V]				
VCCCTV1HH100J	4- 27	AA		C
VCCCTV1HH101J	4- 28	AA		C
VCCCTV1HH120J	4- 29	AA		C
VCCCTV1HH150J	4- 30	AA		C
VCCCTV1HH221J	4- 31	AA		C
VCCCTV1HH330J	4- 32	AA		C
VCEAEU1CW106M	4- 33	AA		C
VCEAGA1CW107M	4- 34	AC		C
VCEAGA1CW337M	4- 35	AB		C
VCEAGA1HW106M	4- 36	AA		C
"	5- 12	AA		C
VCEAGA1HW335M	4- 37	AB		C
VCEAGA1HW474M	4- 38	AB		C
VCEAGA1VW108M	4- 39	AG		C
VCEAGA1VW228M	4- 40	AK		C
VCEAGD1CW108M	4- 41	AE		C
VCEAGD1CW478M	4- 42	AP		C
VCKRTQ1CX474K	4- 43	AD		C
VCKYBT1HB331K	9- 2	AC		C
VCKYPU1HB101K	5- 13	AA		C
VCKYTV1CB474K	4- 44	AC		C
VCKYTV1HB102K	4- 45	AA		C
VCKYTV1HB103K	4- 46	AB		C
VCKYTV1HB152K	4- 47	AA		C
VCKYTV1HF104Z	4- 48	AA		C
"	8- 5	AA		C
VHD1SR159//--1	4- 49	AF		B
VHD1SS355//--1	4- 50	AB		B
"	4- 54	AB		B
VHDD10SC4M//1	4- 51	AK		B
VHDDSS133HV-1	5- 14	AA		B
VHDFMB-G24H/1	4- 52	AH		B
VHDRB160L-401	4- 53	AG		B
VHDRB501V40-1	4- 54	AD		B
VHEMTZJ6.2C-1	4- 55	AC		B
VHEPTZ6.2A/-1	4- 56	AH		B
VHEPTZ9.1B+-1	4- 57	AG		B
VHEUDZS8.2B-1	4- 58	AC		B
VHHRXE135//--1	4- 59	AG		B
VHi27020RBH1A	4- 61	BG	N	B
VHi30624MG214	4- 60	BB		B
VHiBA10393F-1	4- 62	AC		B
VHiBA7812FP-E	4- 63	AK		B
VHiG76C256F70	4- 64	BC		B
VHiKiA431F/-1	4- 65	AK		B
VHiKiD65083AP	5- 15	AM		B
VHiLB1843V/-1	4- 66	AM		B
VHiMAX1627ESA	4- 67	BA		B
VHiMAX211CAi-	4- 68	BB		B
VHiMC34063AM1	4- 69	AG		B
VHiMC74HC123F	4- 70	AM		B
VHiMC74HC374F	4- 72	AG		B
VHiSN74HC138N	5- 16	AL		B
VHiSN74HC32DR	4- 71	AG		B
VHiW42C3103G/	4- 73	AU		B
VHPGP2S40J/-1	9- 3	AK		B
VHPHDSP5621-1	5- 17	AM		B
VHPHDSPF501-1	6- 2	AH		B
VHViCPS0.5/-1	4- 74	AF		B
VRD-RC2EY103J	5- 18	AA		C
VRD-RC2EY121J	5- 19	AA		C
VRD-RC2EY123J	5- 20	AA		C
VRD-RC2EY270J	6- 3	AA		C
VRD-RC2EY300J	5- 21	AA		C
VRD-RC2EY473J	5- 22	AA		C
VRS-HT3DG3R9J	4- 75	AG		C
VRS-RE3AAR22J	4- 76	AA		C
VRS-TP2EG1R0J	4- 77	AC		C
VRS-TQ2BB102J	4- 78	AA		C
VRS-TS2AD000J	4- 80	AA		C

PARTS CODE	NO.	PRICE RANK	NEW MARK	PART RANK
VRS-TS2AD101J	4- 81	AA		C
VRS-TS2AD102F	4- 82	AA		C
VRS-TS2AD103F	4- 83	AA		C
VRS-TS2AD103J	4- 84	AA		C
VRS-TS2AD104J	4- 85	AA		C
VRS-TS2AD122J	4- 87	AA		C
VRS-TS2AD133F	4- 88	AA		C
VRS-TS2AD151J	4- 89	AA		C
VRS-TS2AD152J	4- 90	AA		C
VRS-TS2AD153J	4- 91	AA		C
VRS-TS2AD181J	4- 92	AA		C
VRS-TS2AD182J	4- 93	AA		C
VRS-TS2AD183J	4- 94	AA		C
VRS-TS2AD221J	4- 95	AA		C
VRS-TS2AD222J	4- 96	AA		C
VRS-TS2AD223J	4- 97	AA		C
VRS-TS2AD241J	4- 98	AA		C
VRS-TS2AD272F	4- 99	AA		C
VRS-TS2AD302F	4-100	AB		C
VRS-TS2AD303F	4-101	AA		C
VRS-TS2AD330J	4-102	AA		C
VRS-TS2AD331J	4-103	AA		C
VRS-TS2AD332F	4-104	AA		C
VRS-TS2AD332J	4-105	AA		C
VRS-TS2AD333F	4-106	AB		C
VRS-TS2AD362F	4-107	AA		C
VRS-TS2AD472J	4-108	AA		C
VRS-TS2AD473J	4-109	AA		C
VRS-TS2AD561J	4-110	AA		C
VRS-TS2AD563J	4-111	AA		C
VRS-TS2AD680F	4-112	AA		C
VRS-TS2AD821J	4-113	AA		C
VRS-TS2AP112F	4- 86	AB		C
VRS-TS2EP151J	4- 79	AA		C
VRS-TX2HP222J	4-114	AA		C
VS2SB1340//--1	4-115	AL		B
VS2SB883-//--1	4-116	AL		B
VS2SC2412K/-1	4-117	AB		B
VS2SD2170//--1	4-118	AH		B
VS2SJ328-Z/-1	4-119	AP		B
VS2SK2731//--1	4-120	AD		B
VSDTA143ZK/-1	5- 23	AB		B
VSDTC114TK/-1	5- 24	AA		B
VSKRA106S//--1	4-121	AF		B
VSKRC106S//--1	4-122	AD		B
VSKRC111S//--1	4-120	AD		B
VSKTA1273//--1	5- 25	AF		B
VSKTA1664//--1	4-123	AD		B
[X]				
XBPSD26P06000	1- 32	AA		C
XEBSD26P06000	1- 52	AA		C
XEBSD26P10000	1- 59	AC		C
XEBSD30P06000	1- 51	AA		C
"	2- 12	AA		C
XEBSD30P08000	1- 11	AA		C
XEBSD30P10000	1- 3	AA		C
XHBSD30P06000	1- 54	AA		C
XHBSD30P10000	1- 16	AA		C
XHPD30P06000	4-124	AA		C
XJPSD30P06000	2- 18	AA		C
XJSSD26P08000	1- 27	AA		C
XUBSD40P10000	1- 41	AA		C